

WEBS-RETRO-MT/R4 Installation Instructions

I. Introduction

The **WEBS-RETRO-MT/R4** is a kit that converts an existing ETP-MT/R OP 4 Tower into a WEBS®-capable Mass Notification Unit. This instructions manual assumes that a fully functional ETP-MT/R OP 4 Tower has already been installed.

II. Contents

Before beginning the installation, make sure you have all the included components. Each kit consists of three packages, which include the painted WEBS® Retrofit tower top, the extra long replacement camera arm, and the following components:

QTY	Part Number	Description
4	83075	WEBS® Loudspeaker
2	24682	Amplifier Mounting Bracket
2	WEBS-AMP-2	Paging Amplifier
2	86396	Power Supply, 12VDC, 5 Amp
2	42839	3/4"-10 hex nut
8	42840	3/4" washer
3	42902	10-24 x 1-1/2" pan head phillips screw

III. Installation

(A) Replacing the Tower Arm (figure 1)

- 1) Unplug the strobe light from the power supply and the emergency phone.
- 2) Unplug the optional CCTV camera from the power supply and all other devices (i.e. emergency phone, network switch).
- 3) Remove the cap plate of the ETP-MT/R OP 4 tower top by unfastening three 10-24 x 3/4" pan head tamperproof screws and keep them safely aside (See Figure 1).
- 4) Remove the ETP-MT/R4 OP 4 arm from the tower by unfastening four carriage bolts and keep them safely aside. Pull out all cabling still attached to the strobe light and the optional CCTV camera from the tower.
- 5) Take off the strobe light attached to the top of the ETP-MT/R4 OP 4 tower arm along with cabling and reattach it to the new tower arm using the same screws.
- 6) Take off the optional CCTV camera attached to the bottom of the ETP-MT/R4 OP 4 tower arm along with cabling and reattach it to the new tower arm using the same screws.
- 7) Feed all the cabling through the Cable Opening into the tower and reattach the new tower arm to the ETP-MT/R OP 4 tower with the four carriage bolts included with the arm.

Copyright 2012 Talk-A-Phone Co. All rights reserved.

WEBS-RETRO-MT/R4 Installation Instructions

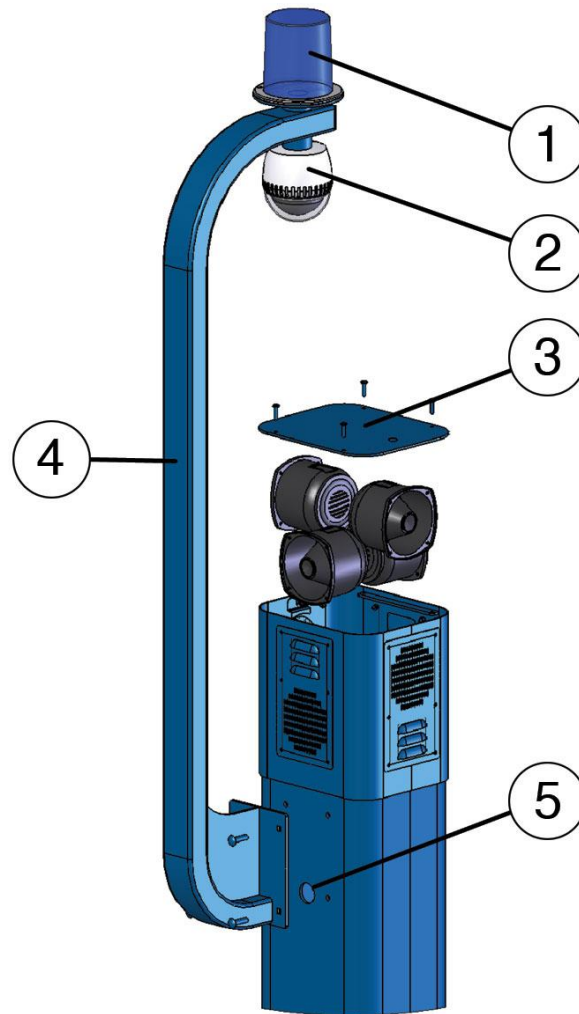


Figure 1. Installing the WEBS® Tower Arm: (1) Strobe Light, (2) CCTV Camera, (3) Cap, (4) Tower Arm, (5) Cable Opening.

(B) Installing the Retrofit Tower Top (figure 2)

- 1) Fasten the Retrofit Top to the top of the tower with the help of the four 10-24 x 3/4" pan head tamperproof screws provided.
- 2) Install the four WEBS® loudspeakers by locking each one of them down with the retainer bracket, starting with the bottommost speakers first (see Figure 2).
- 3) Pass the speakers wiring through the center hole at the bottom of the Retrofit Top and down to the bottom of the tower.
- 4) Close the top of the retrofit tower top with its cap plate with the help of the four 10-24 x 3/4" pan head tamperproof screws that were set aside.
- 5) Reconnect the strobe light wiring to the emergency phone and to its power source. Reconnect the optional CCTV camera to the power source and to all other devices.

Copyright 2012 Talk-A-Phone Co. All rights reserved.

WEBS-RETRO-MT/R4 Installation Instructions

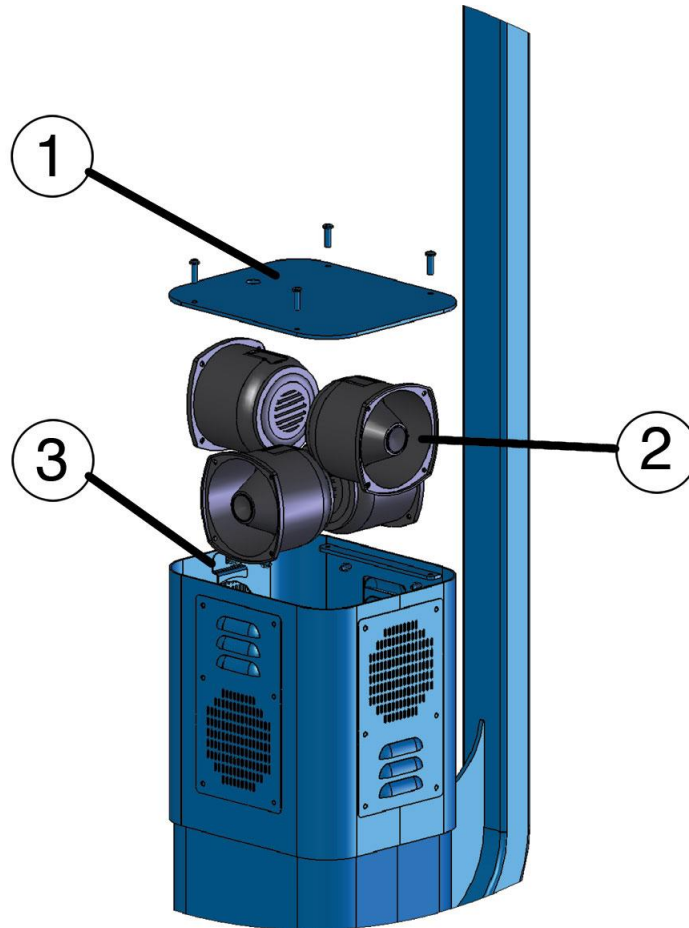


Figure 2. Installing the WEBS® Retrofit Tower Top: (1) Cap, (2) Loudspeaker, (3) Retainer Bracket.

(C) Installing Amplifiers

- 1) Remove the rear access panel from the ETP-MT/R OP 4 Tower.
- 2) Each amplifier connects to two (2) speakers. Connect speaker output cable#1 (white and white/black) from the amplifier to the speaker and output cable#2 (gray and gray/black) to the other speaker.
- 3) Place a washer along with the amplifier mounting bracket on the desired anchor bolt. After adjusting the mounting plate with the help of the slotted hole, fasten the plate to the anchor bolt with another washer and hex nut.



Depending on the length of threading available on the anchor bolt, you may need to use the additional washers provided to elevate the amplifier mounting bracket so that the anchor bolt does not interfere with the amplifier. If there is not enough threading available to install as shown above, either do not use the additional washers, or remove the existing nut and washer and mount directly above the tower base plate.

Because this kit is being added to existing towers, installers may find conduit, electrical boxes and other objects obstructing the area above the anchor bolts where the amplifier brackets mount. These brackets can be installed on any 2 of the 4 anchor bolts—if you find that it is not possible to fit the brackets in the towers due to specifics of your existing installation, please call Talk-A-Phone technical support for assistance.

Copyright 2012 Talk-A-Phone Co. All rights reserved.

WEBS-RETRO-MT/R4 Installation Instructions

- 4) Repeat steps 3 and 4 to install the second amplifier/power supply with a mounting bracket to the second anchor bolt of an ETP-MT/R OP 4 Tower.



Although the amplifier mounting brackets have rain shields, it is the installer's obligation to ensure that proper drip loops are created with the help of the extension wire, in order to prevent condensation from damaging the amplifiers.

- 5) Connect the line-level audio input cable (red and black cable with gray jacket) to the line-level audio output source (**WEBS-CM-2** communications module or **VOIP-500 Series** Phone).
- 6) Connect the Trigger cable (blue and orange) to any of the auxiliary outputs provided on the **WEBS-CM-2** communications module or the **VOIP-500 Series** Phone.
- 7) Connect the power supplies (2) on the mounting bracket (blue and brown cable) to a power source (100-240VAC).
- 8) Use the volume control knob on the mounting bracket to adjust the volume of the page output. Rotate the knob clockwise to increase the volume and counterclockwise to decrease the volume.
- 9) Reattach the rear access panel.

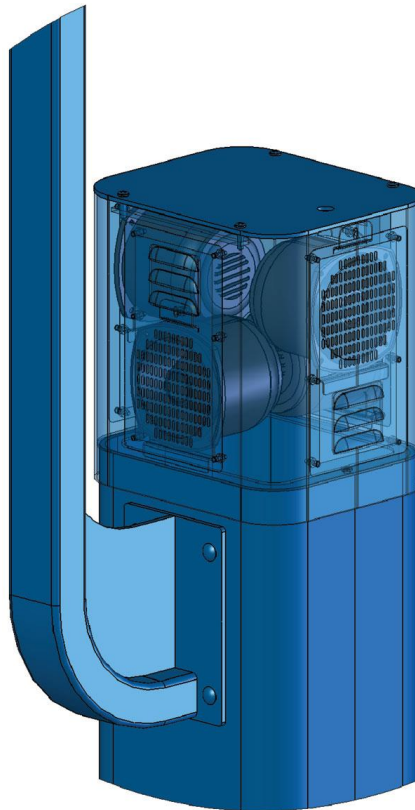


Figure 3. Fully assembled WEBS-RETRO-MT/R4 showing Retrofit Tower Top

Copyright 2012 Talk-A-Phone Co. All rights reserved.