

Description

Talk-A-Phone’s WEBS-PM Pedestal Mount Emergency Phone Station is an ideal security solution for remote and high-risk areas where wide-area audio broadcast is desired. The unit can be used as part of the Talk-A-Phone’s Wide-Area Emergency Broadcast System (WEBS®) to notify large masses of people of an event with an intelligent message.

Standing over four feet tall, this vandal-resistant pedestal serves as a great deterrent to crime while offering contemporary architectural styling. Emergency call can be placed with a simple push of a button. The Emergency Phone faceplate is illuminated at all times for clear visibility during the night.

Talk-A-Phone’s WEBS-PM Pedestal Mount Emergency Phone Stations are often used at university and college campuses, parking facilities, shopping malls, medical centers, industrial campuses and transit facilities.

Features

- Send live or prerecorded audio messages through WEBS Contact® Mass Notification platform
- Concealed high-power side speakers provide 360° coverage
- Separate volume controls for each direction
- Emergency Phone faceplate is illuminated at all times by an LED Panel Light
- Vandal-resistant structure and coating designed to resist extreme weather conditions
- A variety of signage, graphics and color choices are available
- ADA-compliant

Specifications

Dimensions (W x D x H):	12.1 x 10.6 x 58.9 in. (308 x 270 x 1496 mm)
Weight:	140 lbs. (63.5 kg)
Construction:	0.25 in. steel
Coating:	High-gloss, multi-layer, corrosion-inhibitive system with resistance to UV-fade and graffiti protection
Colors:	Safety Blue is standard. Available in custom colors.
Signage:	3.25 in. high reflective white “EMERGENCY” lettering with wide-angle visibility is standard. Available in custom colors, lettering and graphics.
Audio Broadcast:	Two 40 watt speakers, 118 dBA @ 1 meter
Lighting: LED Panel Light:	Ultra bright LEDs, 50,000 hour lifetime
Power:	Maximum total 26 watts, 110-240VAC/12VDC
Mounting:	Mounts into concrete foundation using included hardware (shipped in advance)
Warranty:	2-year warranty



WEBS-PM – Pedestal Mount Emergency Phone Station with WEBS®

WEBS-PM includes a LED Panel Light and an Anchor Bolt Kit. Emergency Phone is purchased separately.

Accessories

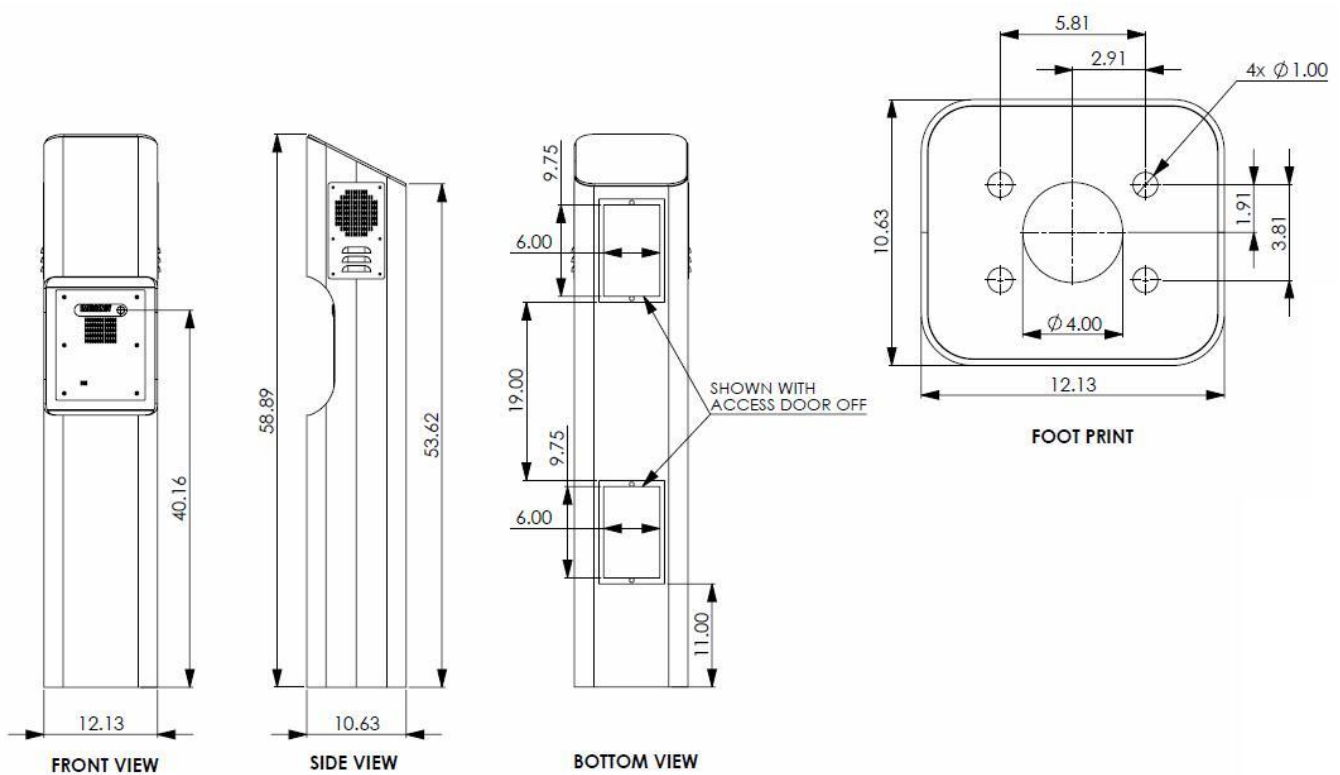
Mass Notification:

Order **WEBS-CONTACT** Mass Notification/Polling software to broadcast live and pre-recorded audio and text messages through a wide variety of notification mediums. Includes SMS, Email, RSS, and audio broadcast notifications (requires a VOIP-500 series phone or WEBS-CM-2).

Communications Module:

Order **WEBS-CM-2** WEBS Communications Module to broadcast messages via WEBS-CONTACT when used with ETP-400 series phone.

Dimensional Diagram



All dimensions are in inches and are provided for reference only.