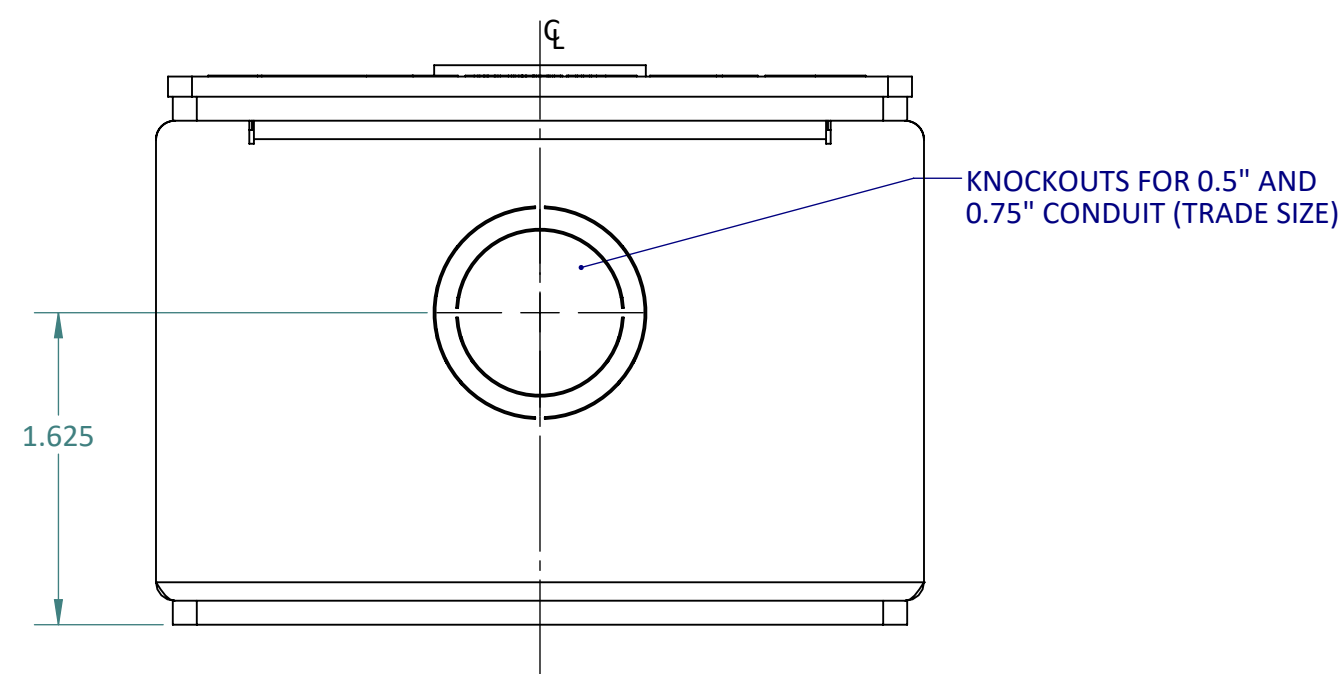
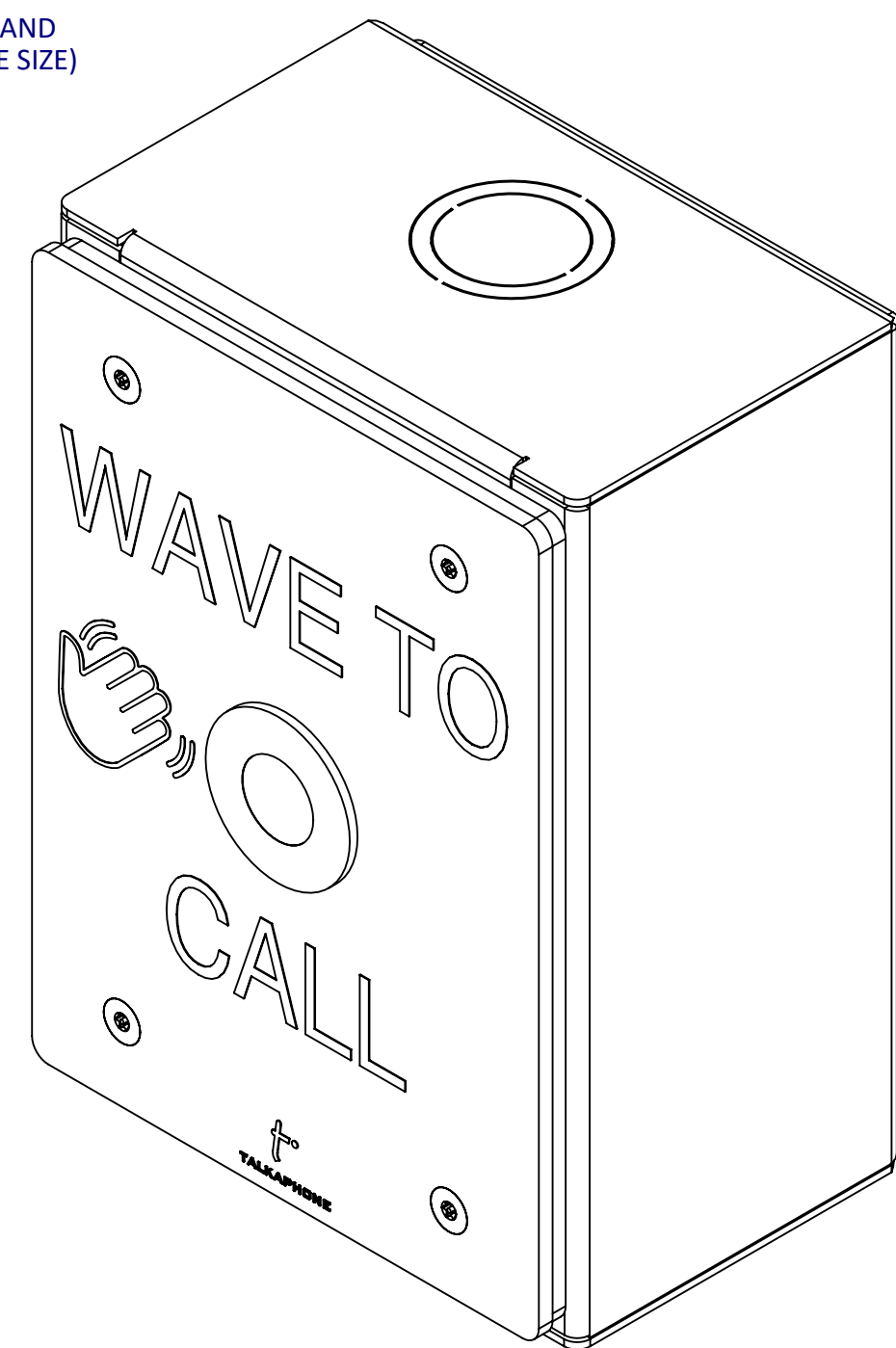
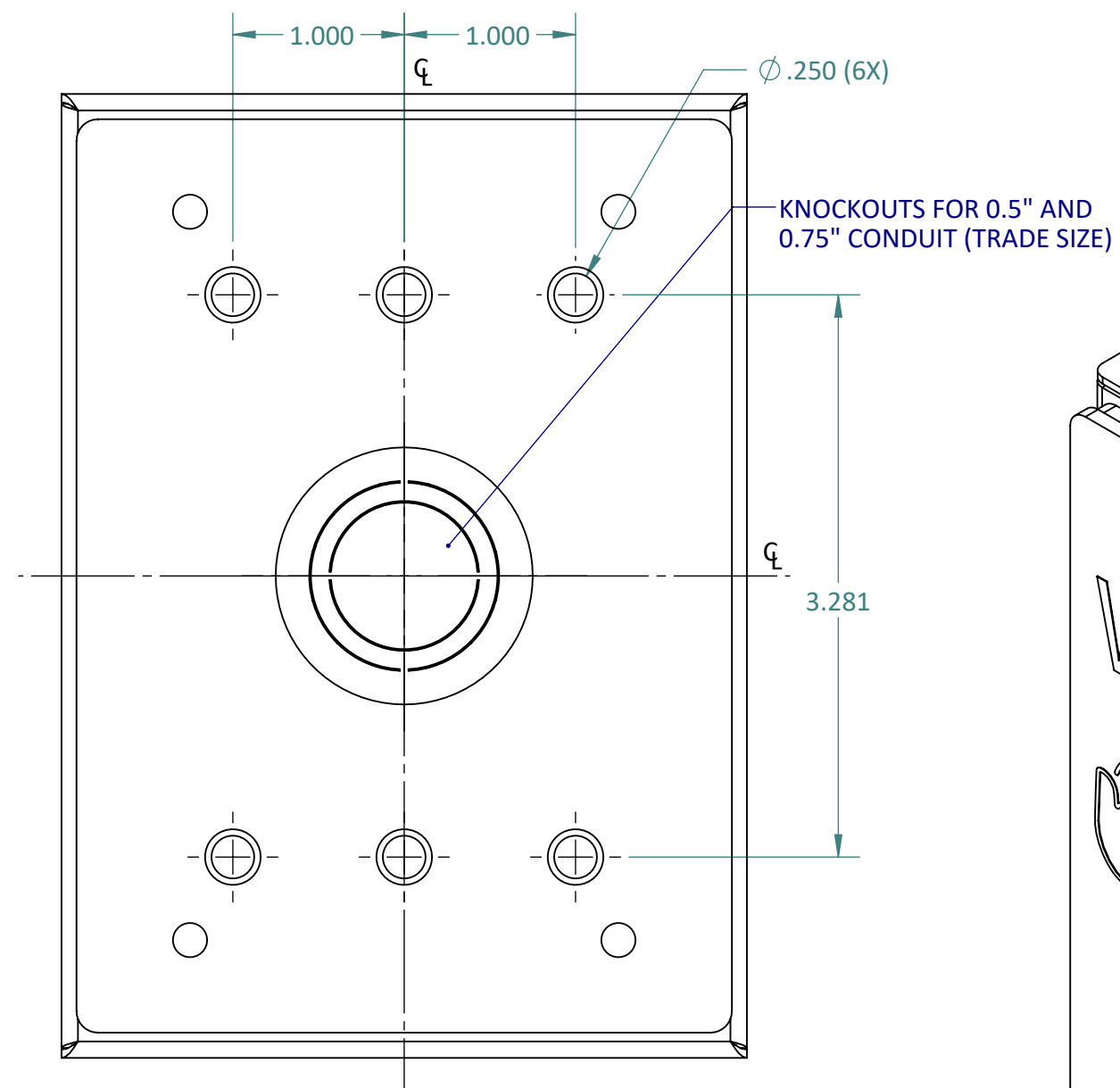
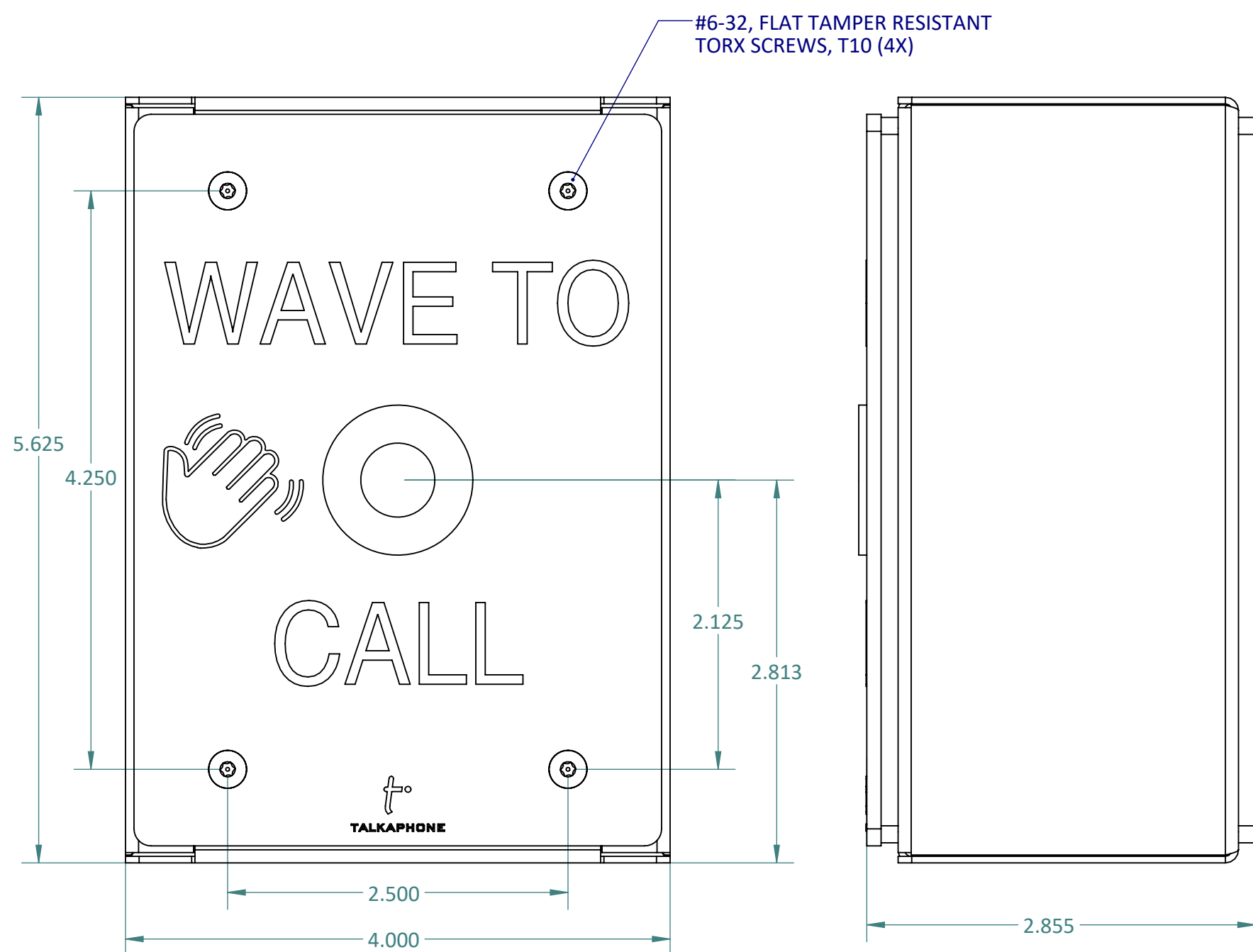
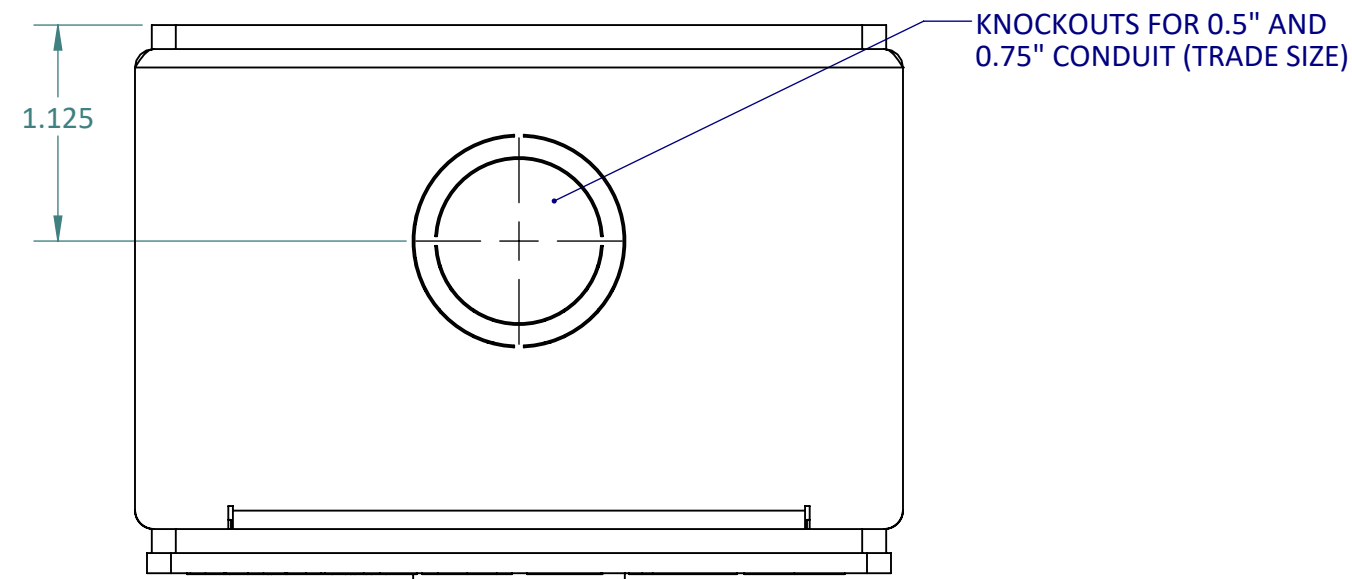



GENERAL NOTES:



FINISH  
 PROPRIETARY AND CONFIDENTIAL  
 THE INFORMATION CONTAINED IN THIS DRAWING IS THE SOLE PROPERTY OF TALK-A-PHONE, LLC. ANY REPRODUCTION IN PART OR AS A WHOLE WITHOUT THE WRITTEN PERMISSION OF TALK-A-PHONE, LLC IS PROHIBITED.

|   |                     |  |          |
|---|---------------------|--|----------|
| 1.0   | PRELIMINARY RELEASE | 12/14/2020   | K PATEL  |
| REV.  | DESCRIPTION         | DATE   | APPROVED |
| REVISIONS   |                     |  |          |
|   | NAME                | DATE   |          |
| DRAWN   | K PATEL             | 12/14/2020   |          |
| CHECKED   |                     |  |          |
| ENG APPR.   |                     |  |          |
| MFG APPR.   |                     |  |          |
| Q.A.  |                     |  |          |
| COMMENTS:   |                     |  |          |
| <br>TALK-A-PHONE, LLC<br>7530 N. NATCHEZ AVE., NILES, IL 60714<br>WWW.TALKAPHONE.COM |                     | DWG. NO.<br>SIZE PART NO. REV<br>C WAV-1-SM 1.0<br>DWG. TITLE: WAVESENSE SURFACE MOUNT ASSY<br>SCALE: 1:1 WEIGHT: SHEET 1 OF 1 |          |