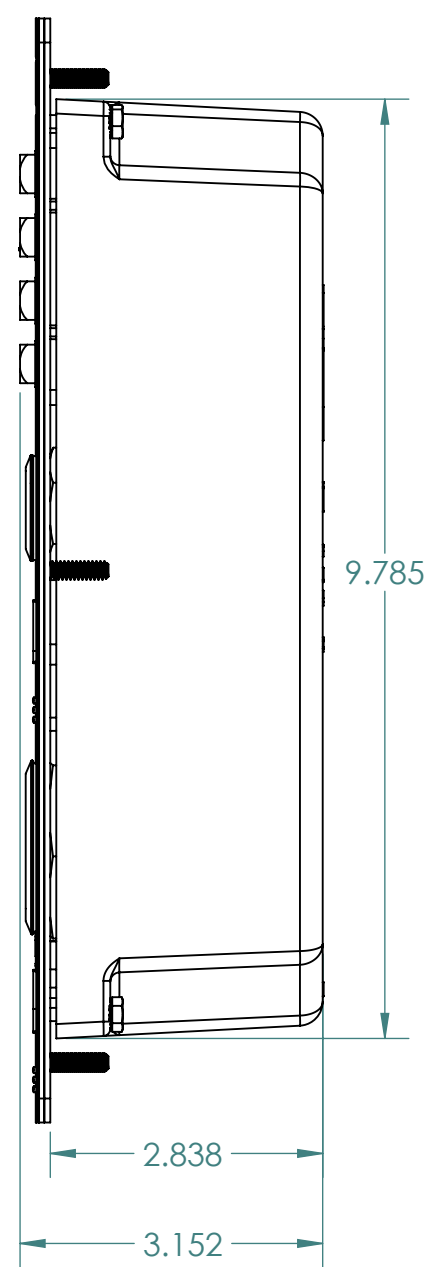
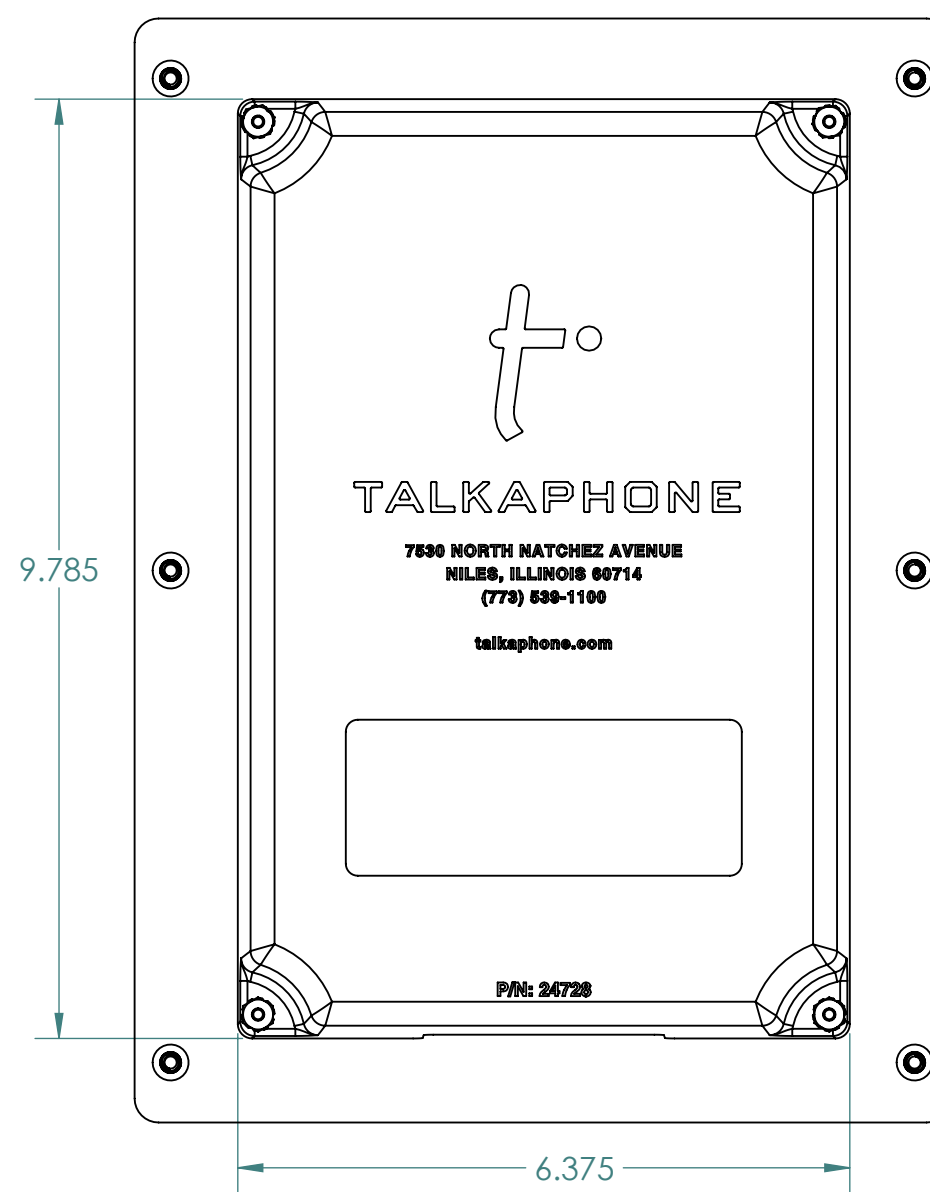


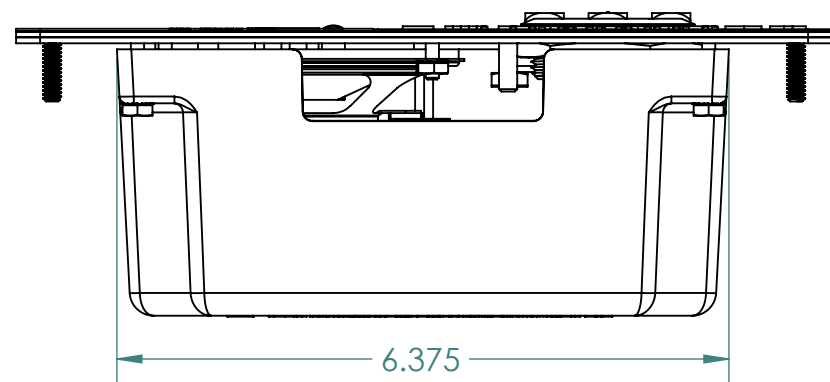
FRONT VIEW



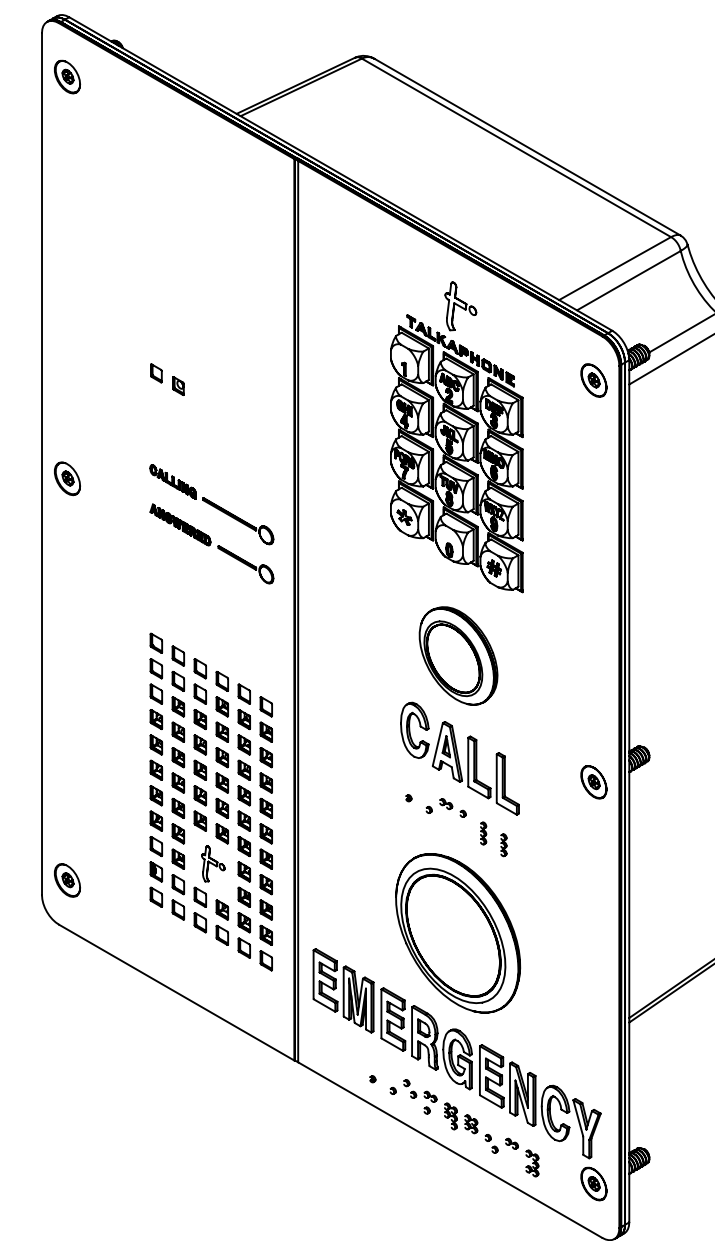
SIDE VIEW



REAR VIEW



BOTTOM VIEW



1.0	MARKETING RELEASE	02/26/2016	K PATEL
REV.	DESCRIPTION	DATE	APPROVED
REVISIONS			
	NAME	DATE	
DRAWN	K PATEL	02/26/2016	
CHECKED			
ENG APPR.			
MFG APPR.			
Q.A.			
COMMENTS:			
 TALKAPHONE TALK-A-PHONE CO. 7530 N. NATCHEZ AVE. NILES, IL 60714 WWW.TALKAPHONE.COM		DWG. NO.	
SIZE	PART NO. ETP-500ECK / VOIP-500ECK	REV	
C	DWG. TITLE: ETP-VOIP-500 SERIES PHONE ASSEMBLY	1.0	
SCALE: 1:4	WEIGHT:	SHEET 1 OF 1	

FINISH
 PROPRIETARY AND CONFIDENTIAL
 THE INFORMATION CONTAINED IN THIS
 DRAWING IS THE SOLE PROPERTY OF
 TALK-A-PHONE COMPANY. ANY
 REPRODUCTION IN PART OR AS A WHOLE
 WITHOUT THE WRITTEN PERMISSION OF
 TALK-A-PHONE COMPANY IS PROHIBITED.