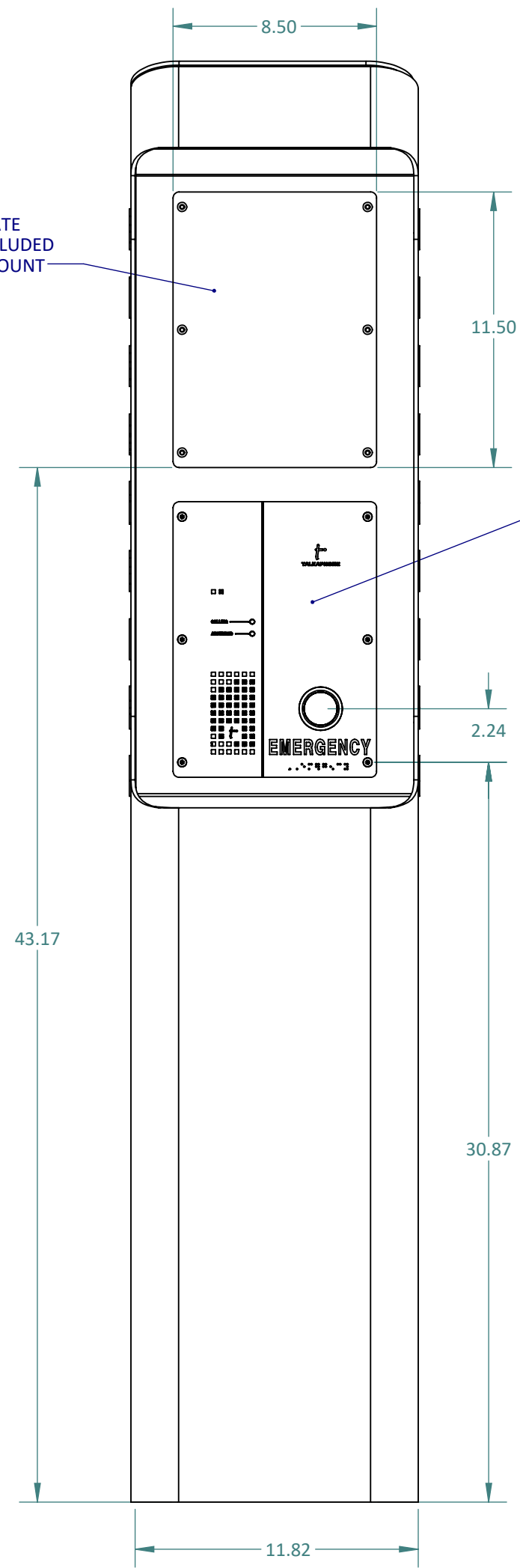


GENERAL NOTES:

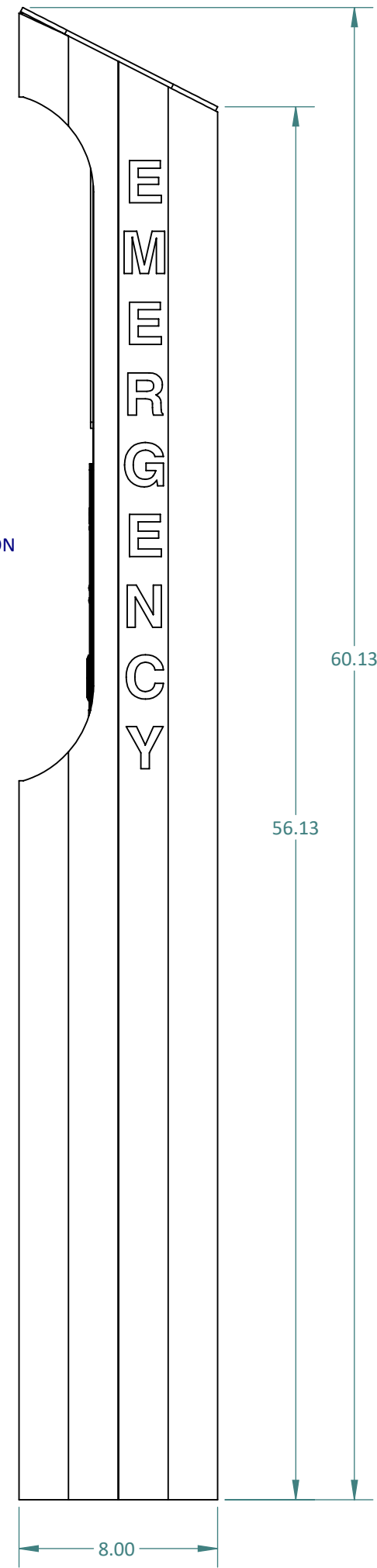
BLANK  
FACEPLATE  
NOT INCLUDED  
WITH MOUNT

CALL STATION  
MODEL NO.:  
ETP-500E  
FOR ILLUSTRATION  
PURPOSES ONLY

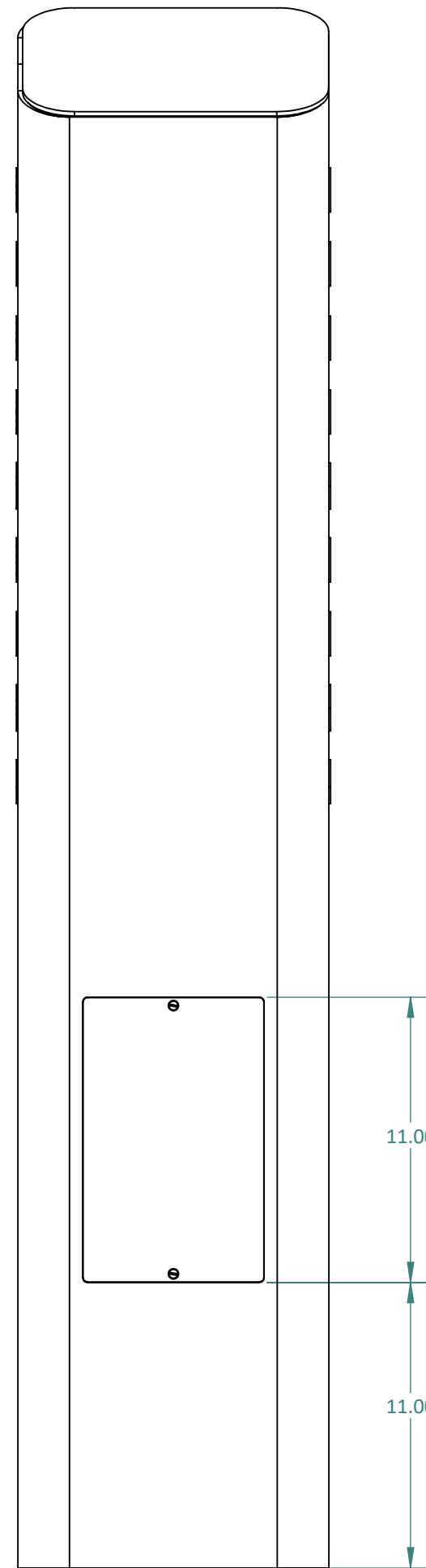
FOOT PRINT



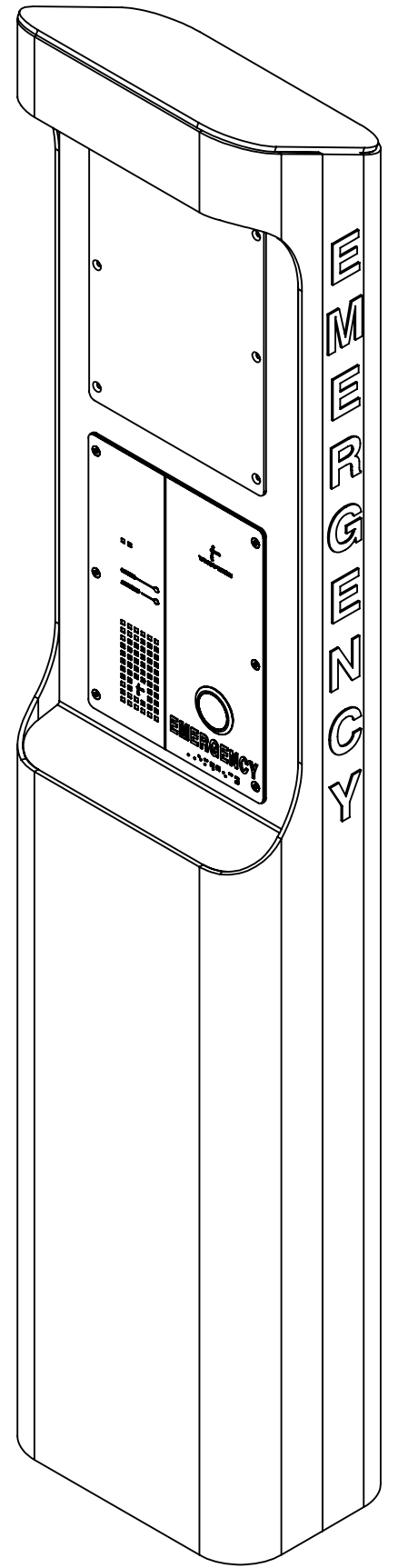
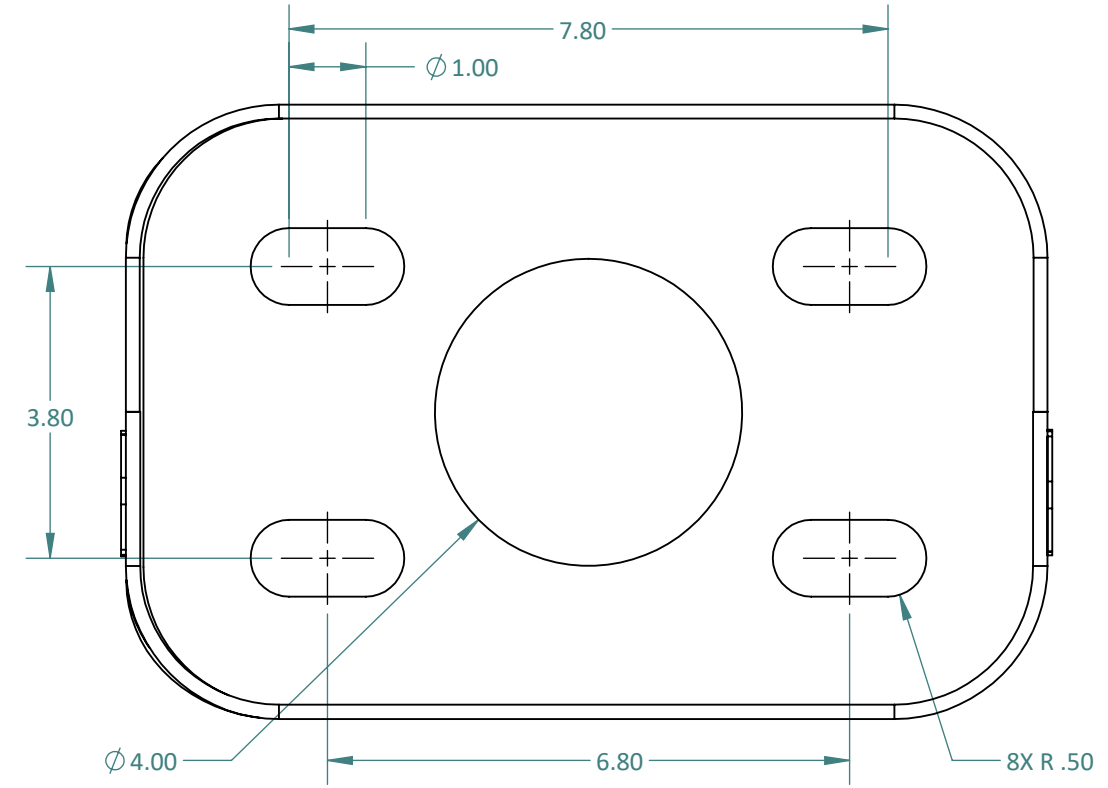
FRONT VIEW




SIDE VIEW



REAR VIEW

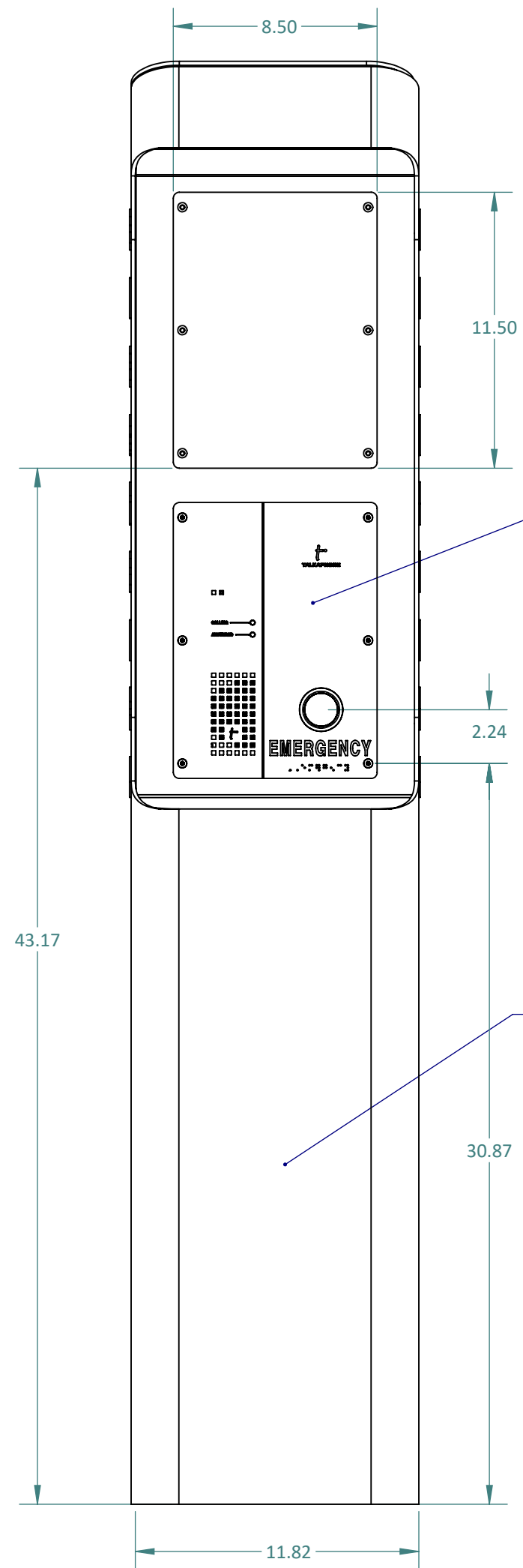


ISOMETRIC VIEW

1.0	MARKETING RELEASE	3/17/2022	N TERECH
REV.	DESCRIPTION	DATE	APPROVED
REVISIONS			
	NAME	DATE	
DRAWN	N TERECH	3/17/2022	
CHECKED	K PATEL	3/17/2022	
ENG APPR.			
MFG APPR.			
Q.A.			
COMMENTS:			
 <b>TALKAPHONE</b> TALK-A-PHONE, LLC 7530 N. NATCHEZ AVE., NILES, IL 60714 WWW.TALKAPHONE.COM			
DWG. NO.		REV	
SIZE	PART NO. ETP-PMD	1.0	
C	DWG. TITLE: ETP-PMD [SERIES]		
SCALE: 1:6	WEIGHT:	SHEET 1 OF 2	

FINISH  
 PROPRIETARY AND CONFIDENTIAL  
 THE INFORMATION CONTAINED IN THIS  
 DRAWING IS THE SOLE PROPERTY OF  
 TALK-A-PHONE, LLC. ANY  
 REPRODUCTION IN PART OR AS A WHOLE  
 WITHOUT THE WRITTEN PERMISSION OF  
 TALK-A-PHONE, LLC IS PROHIBITED.

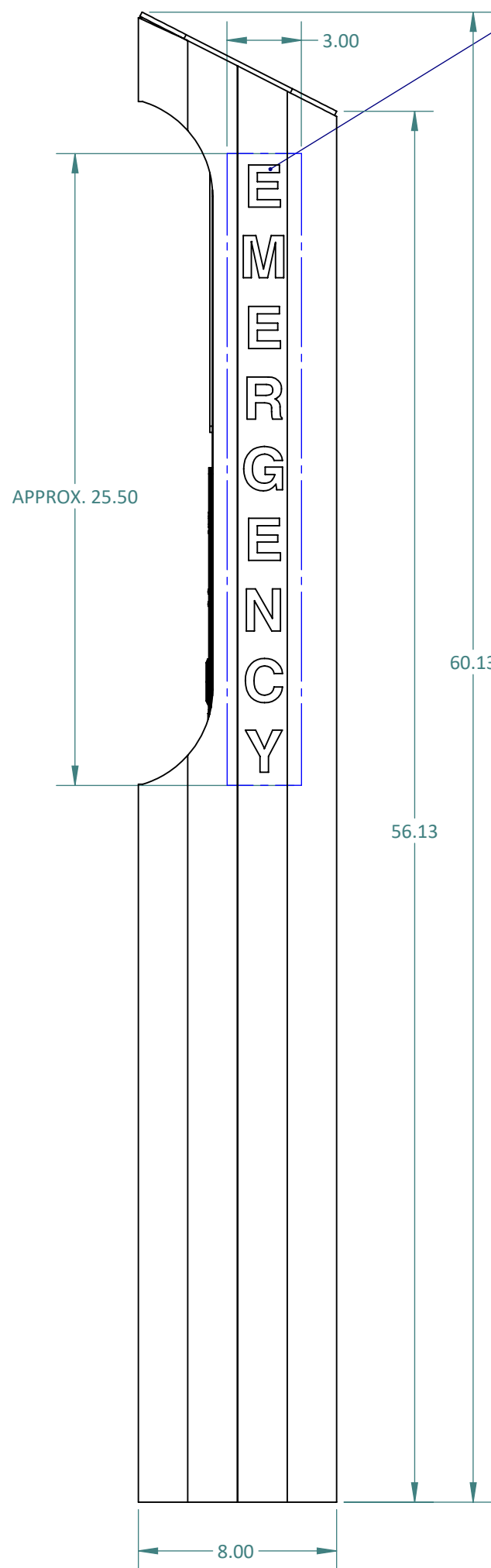
GENERAL NOTES:



**FRONT VIEW**

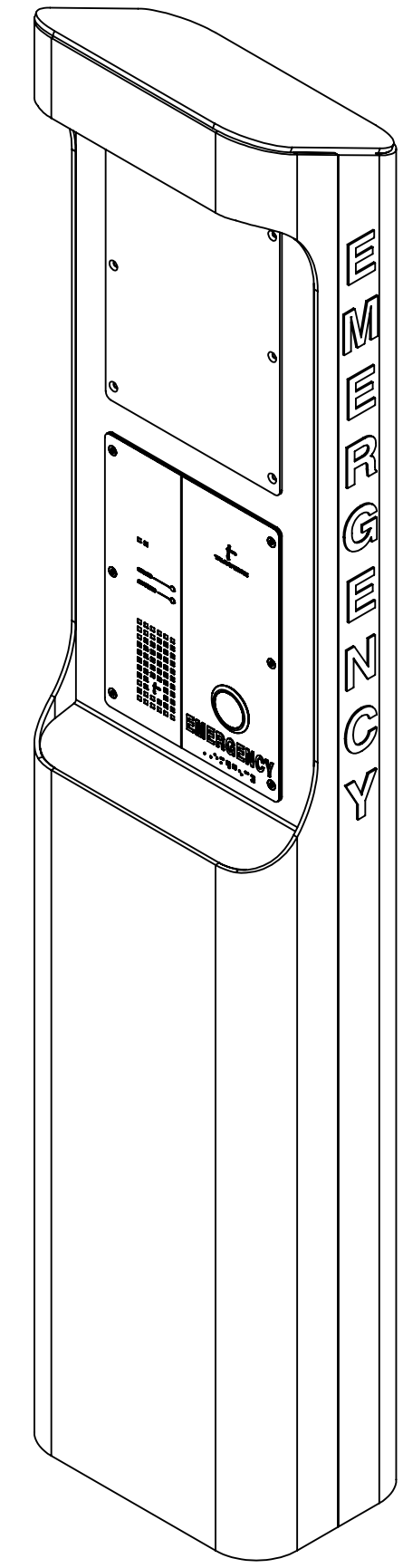
CALL STATION  
MODEL NO.:  
ETP-500E  
FOR ILLUSTRATION  
PURPOSES ONLY

**STANDARD FINISH:**  
PAINTED IN SAFETY BLUE COLOR  
**OPTIONAL FINISH:**  
AVAILABLE PAINTED IN CUSTOM COLORS




**SIDE VIEW**

**STANDARD SIGNAGE:**  
SIGNAGE ON TWO SIDES:  
HIGH REFLECTIVE WHITE "EMERGENCY"  
LETTERING WITH WIDE ANGLE VISIBILITY  
ALSO AVAILABLE WITH "ASSISTANCE",  
"INFORMATION", OR CUSTOM LETTERING  
AND COLORS.



**ISOMETRIC VIEW**

1.0	MARKETING RELEASE	3/17/2022	N TERECH
REV.	DESCRIPTION	DATE	APPROVED
REVISIONS			
	NAME	DATE	
DRAWN	N TERECH	3/17/2022	
CHECKED	K PATEL	3/17/2022	
ENG APPR.			
MFG APPR.			
Q.A.			
COMMENTS:			



**TALKAPHONE**  
TALK-A-PHONE, LLC  
7530 N. NATCHEZ AVE., NILES, IL 60714  
WWW.TALKAPHONE.COM

SIZE	PART NO. <b>ETP-PMD</b>	REV
<b>C</b>	DWG. TITLE: <b>ETP-PMD [SERIES]</b>	<b>1.0</b>
SCALE: 1:6	WEIGHT:	SHEET 2 OF 2

**FINISH**  
THE INFORMATION CONTAINED IN THIS  
DRAWING IS THE SOLE PROPERTY OF  
TALK-A-PHONE, LLC. ANY  
REPRODUCTION IN PART OR AS A WHOLE  
WITHOUT THE WRITTEN PERMISSION OF  
TALK-A-PHONE, LLC IS PROHIBITED.