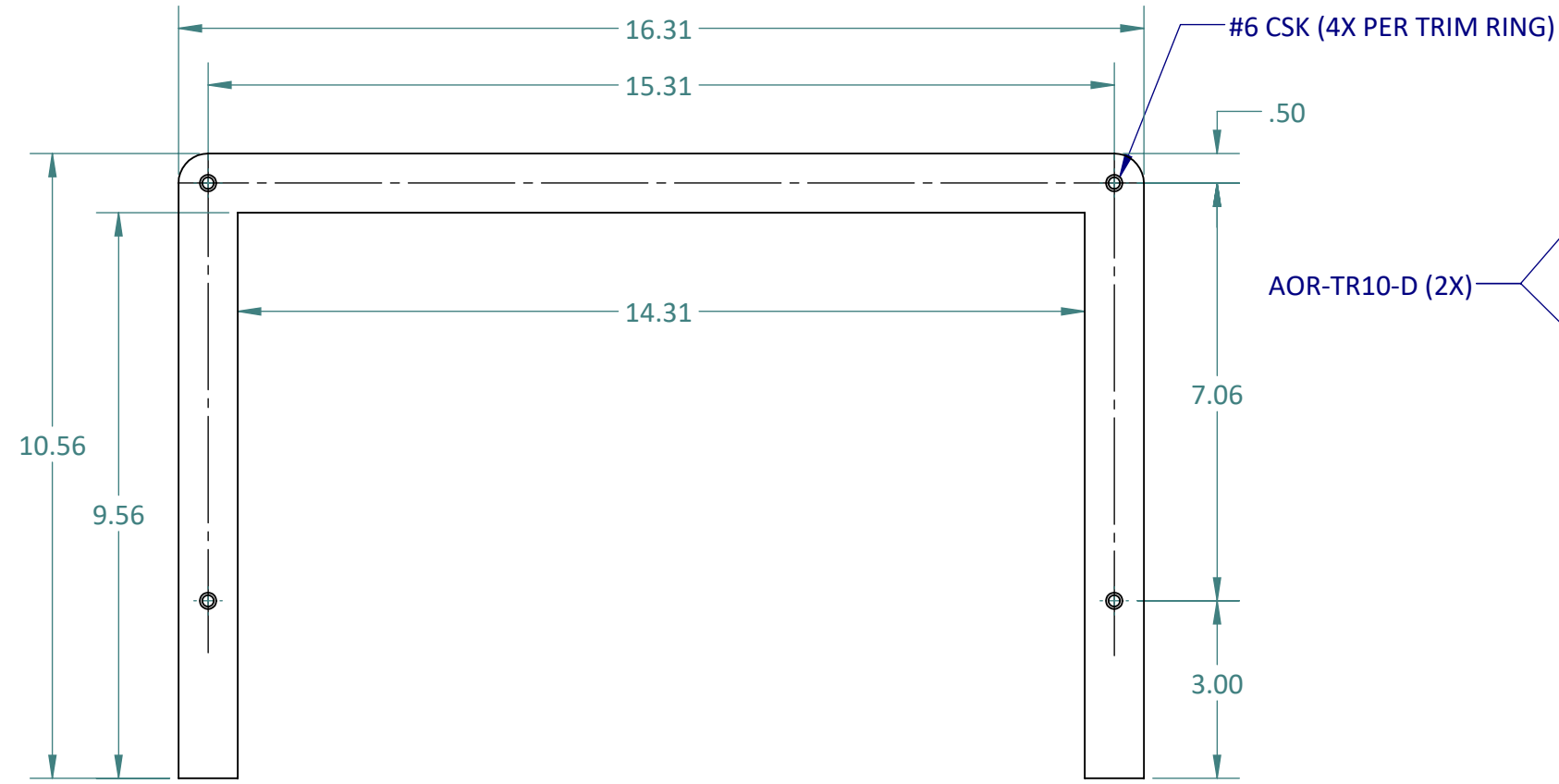
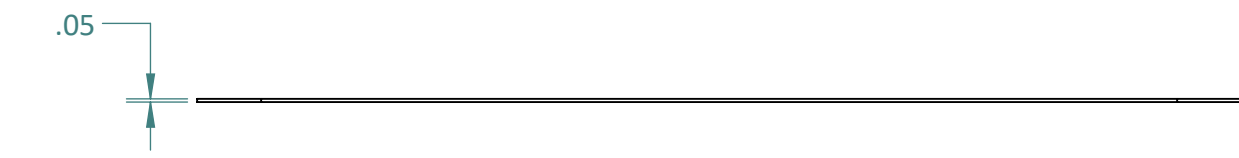


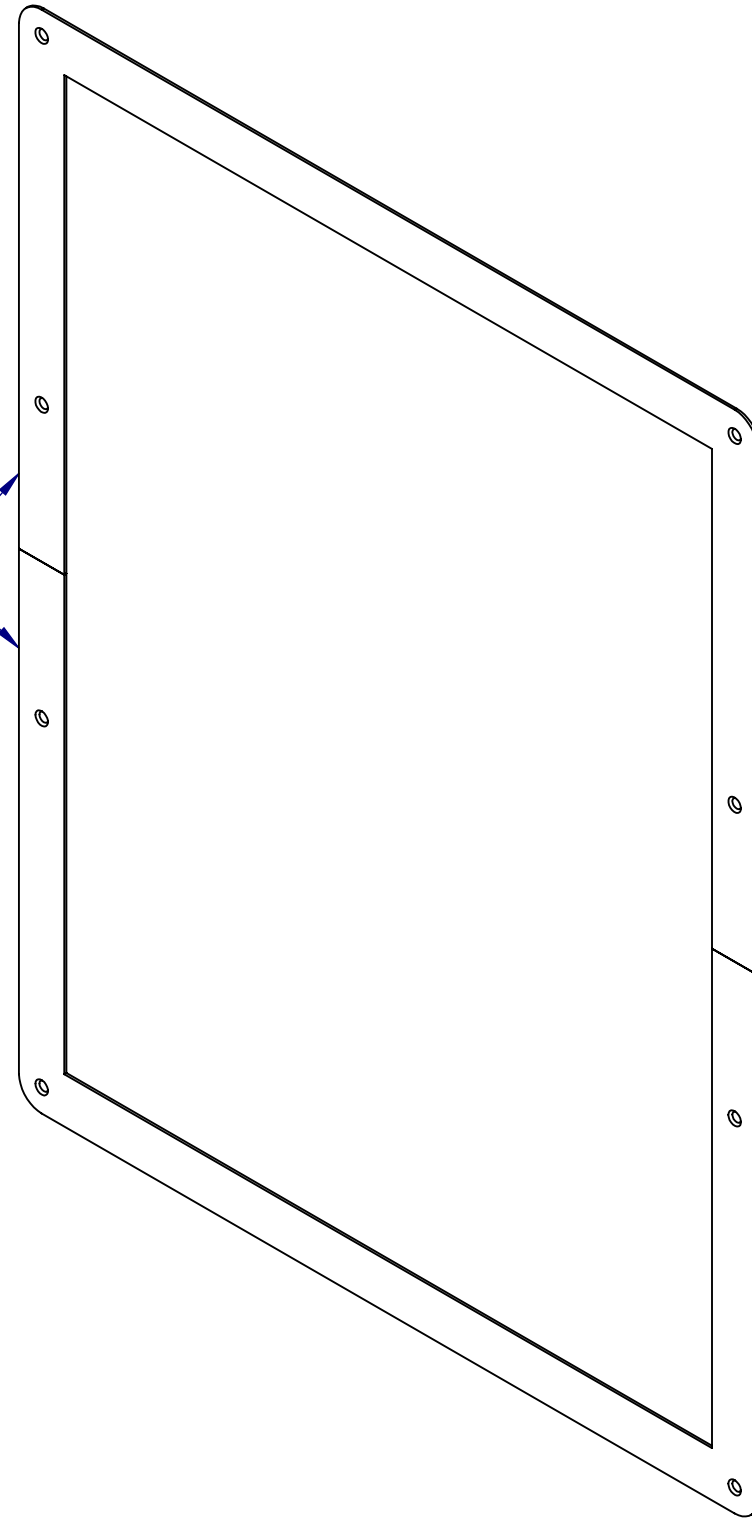
GENERAL NOTES:  
 AOR-TR10-D (QTY. 2) TRIM RINGS ARE NEEDED FOR EACH AOR COMMAND UNIT



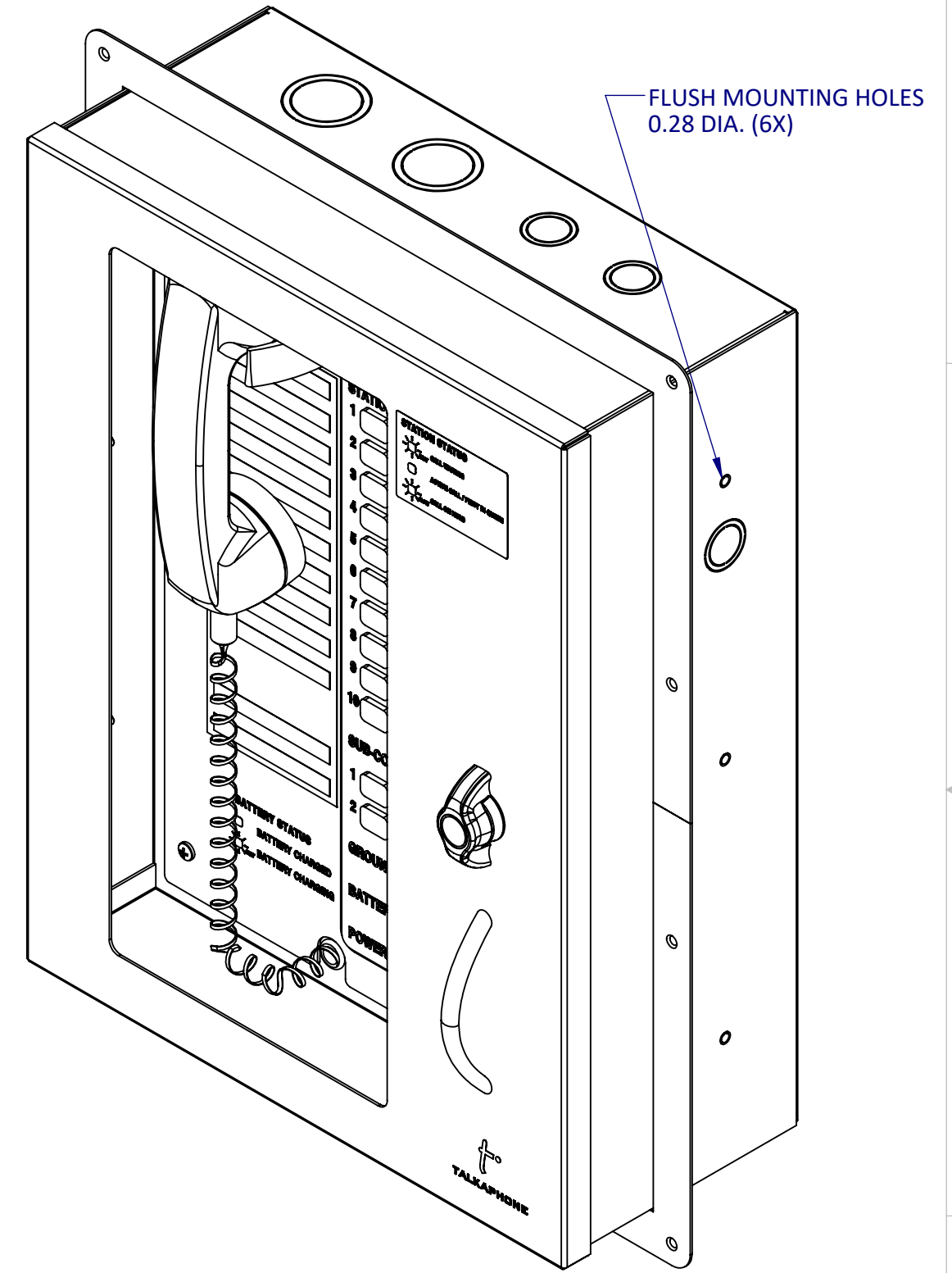
FRONT VIEW



TOP VIEW



ISOMETRIC VIEW



TRIM RING (2X) SHOWN WITH  
 COMMAND UNIT FOR ILLUSTRATION

1.0	MARKETING RELEASE	05/11/2022	N TERECH
REV.	DESCRIPTION	DATE	APPROVED
REVISIONS			
	NAME	DATE	
DRAWN	N TERECH	05/11/2022	
CHECKED	K PATEL	05/11/2022	
ENG APPR.			
MFG APPR.			
Q.A.			
COMMENTS:			
DWG. NO.			
SIZE	PART NO.	REV	
<b>C</b>	<b>AOR-TR10-D</b>	<b>1.0</b>	
DWG. TITLE: <b>TRIM RING FOR AOR ENCLOSURE WITH DOOR</b>			
SCALE: 1:3	WEIGHT:	SHEET 1 OF 1	

FINISH  
 SEE NOTES  
 PROPRIETARY AND CONFIDENTIAL  
 THE INFORMATION CONTAINED IN THIS DRAWING IS THE SOLE PROPERTY OF TALK-A-PHONE, LLC. ANY REPRODUCTION IN PART OR AS A WHOLE WITHOUT THE WRITTEN PERMISSION OF TALK-A-PHONE, LLC IS PROHIBITED.

