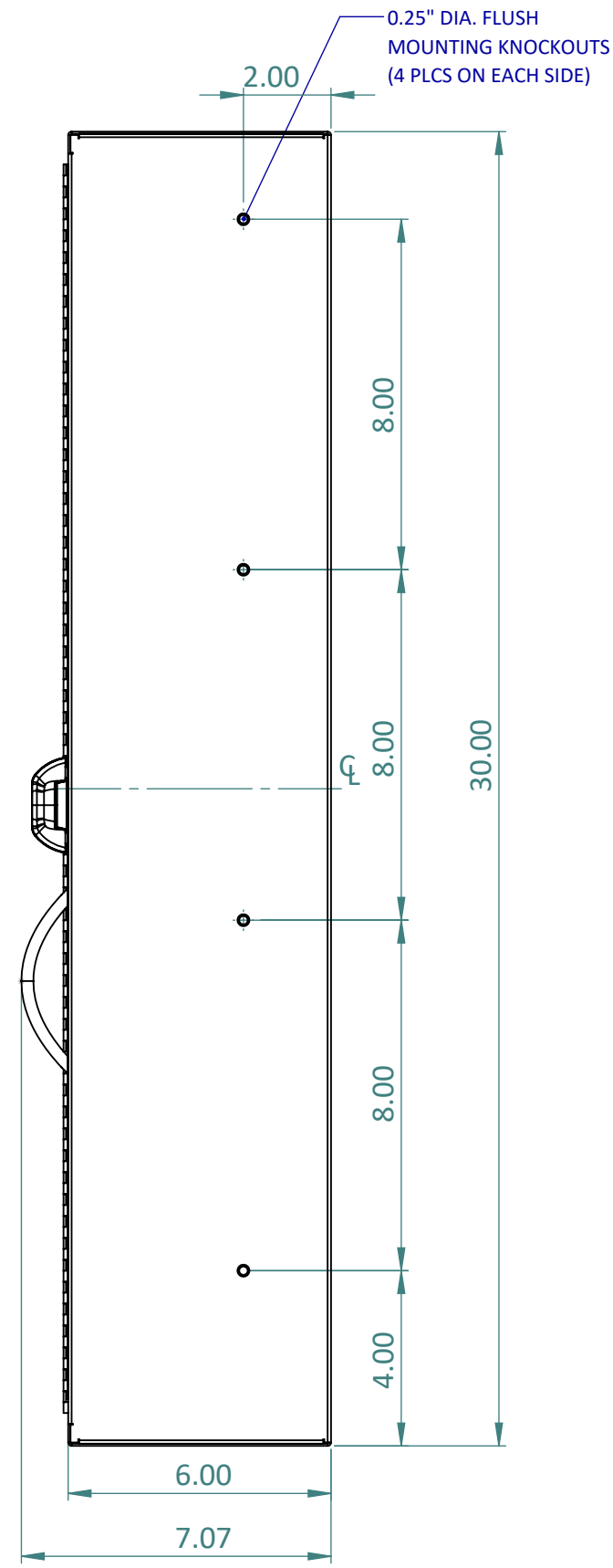
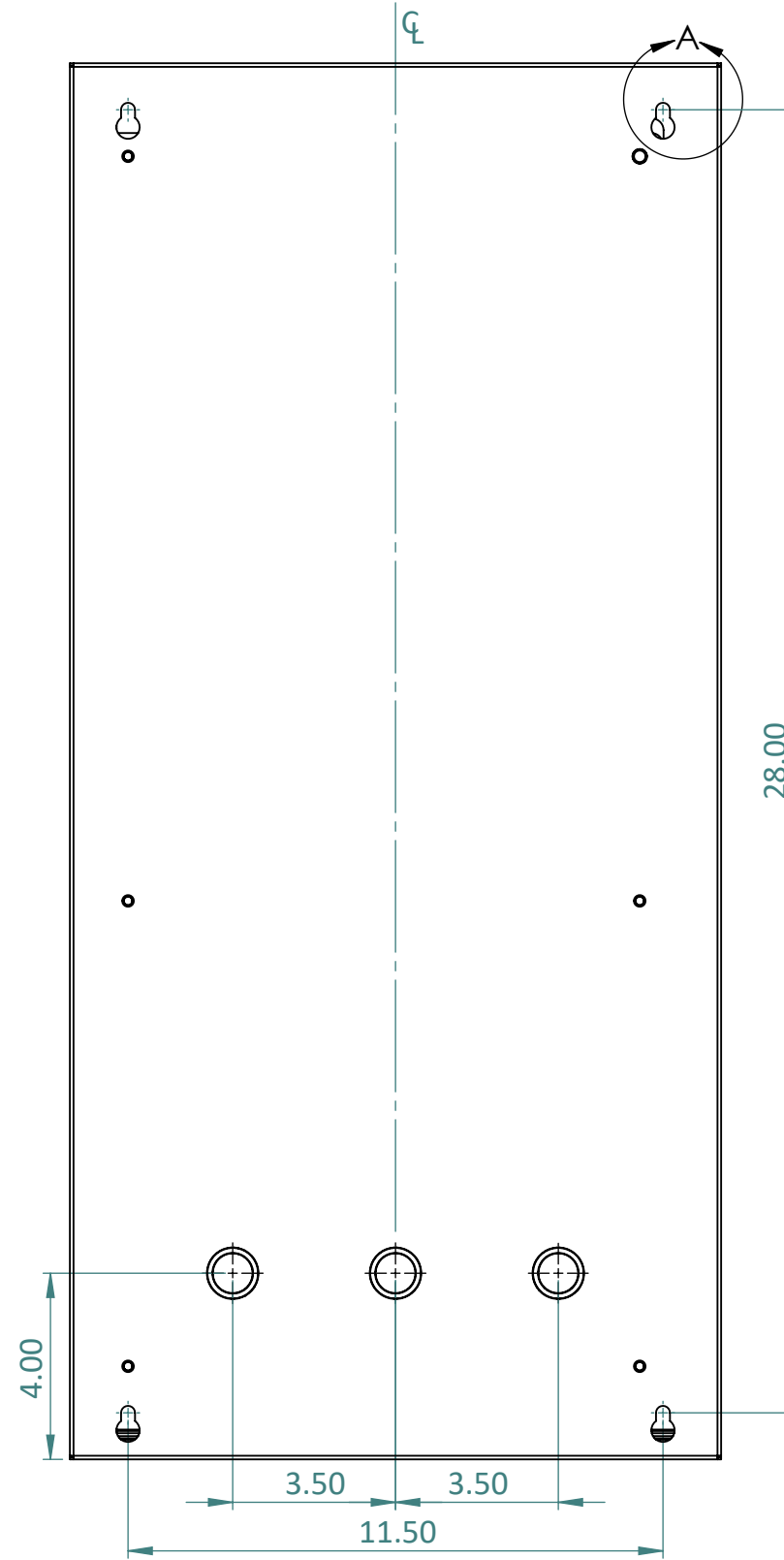


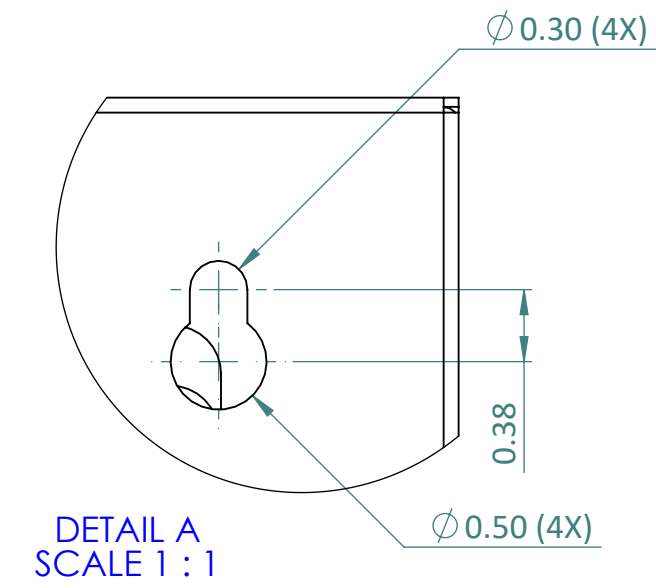
FRONT VIEW



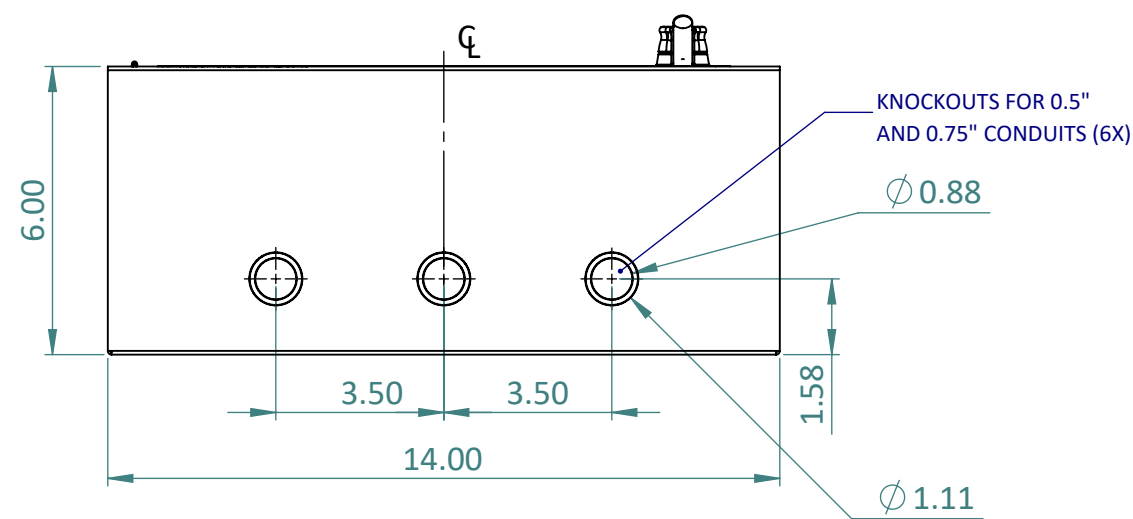
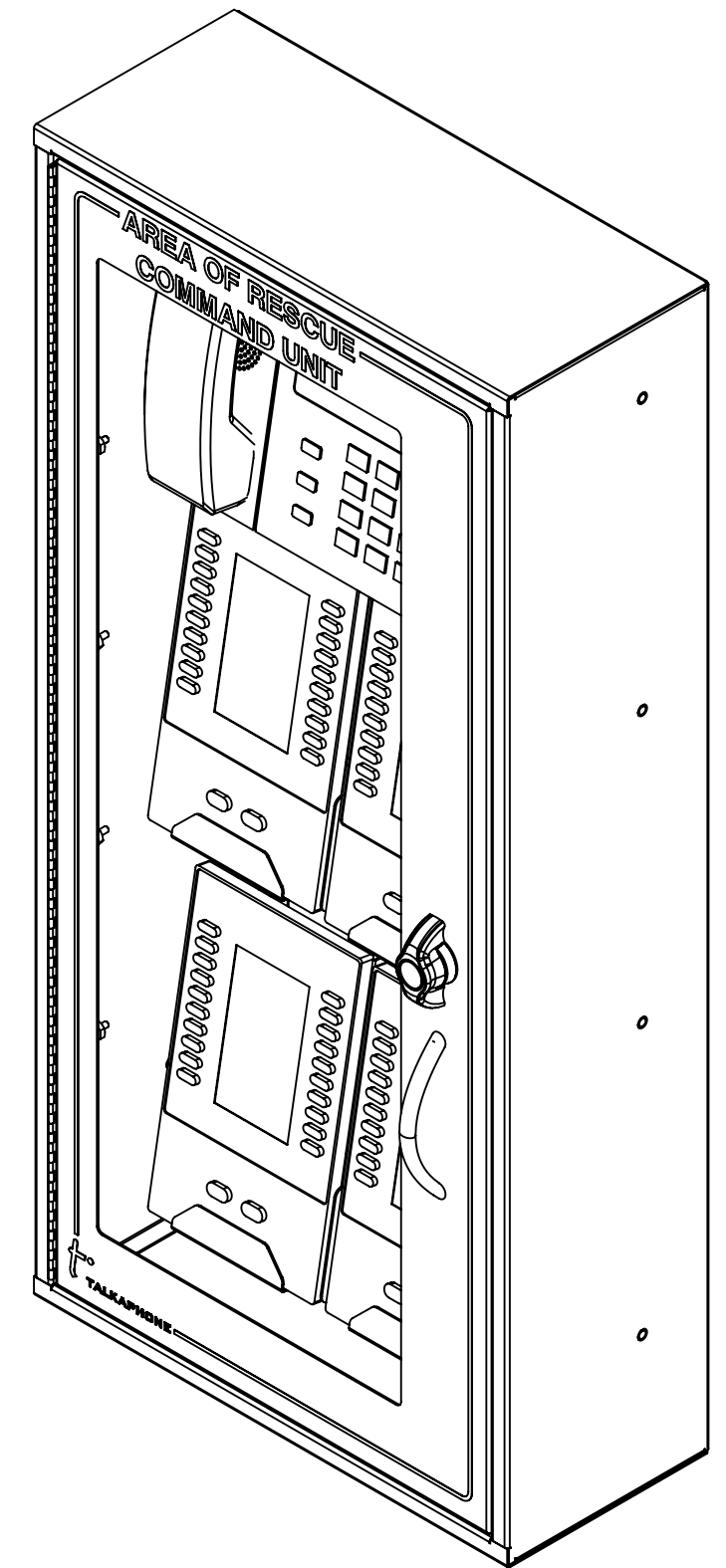
SIDE VIEW



REAR VIEW




DETAIL A
SCALE 1:1



BOTTOM VIEW

FINISH
 PROPRIETARY AND CONFIDENTIAL
 THE INFORMATION CONTAINED IN THIS
 DRAWING IS THE SOLE PROPERTY OF
 TALK-A-PHONE, LLC. ANY
 REPRODUCTION IN PART OR AS A WHOLE
 WITHOUT THE WRITTEN PERMISSION OF
 TALK-A-PHONE, LLC IS PROHIBITED.

1.0	MARKETING RELEASE	04/07/2020	K PATEL
REV.	DESCRIPTION	DATE	APPROVED
REVISIONS			
	NAME	DATE	
DRAWN	K PATEL	04/07/2020	
CHECKED			
ENG APPR.			
MFG APPR.			
Q.A.			
COMMENTS:			



TALKAPHONE
 TALK-A-PHONE, LLC
 7530 N. NATCHEZ AVE., NILES, IL 60714
 WWW.TALKAPHONE.COM

SIZE	PART NO. AOR-IP-160-CU	REV
C	DWG. TITLE: AREA OF RESCUE COMMAND UNIT, 160 STATIONS	1.0
SCALE: 1:4	WEIGHT:	SHEET 1 OF 1