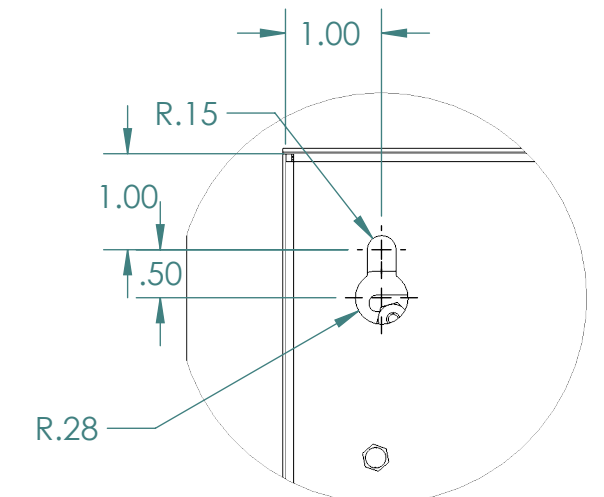
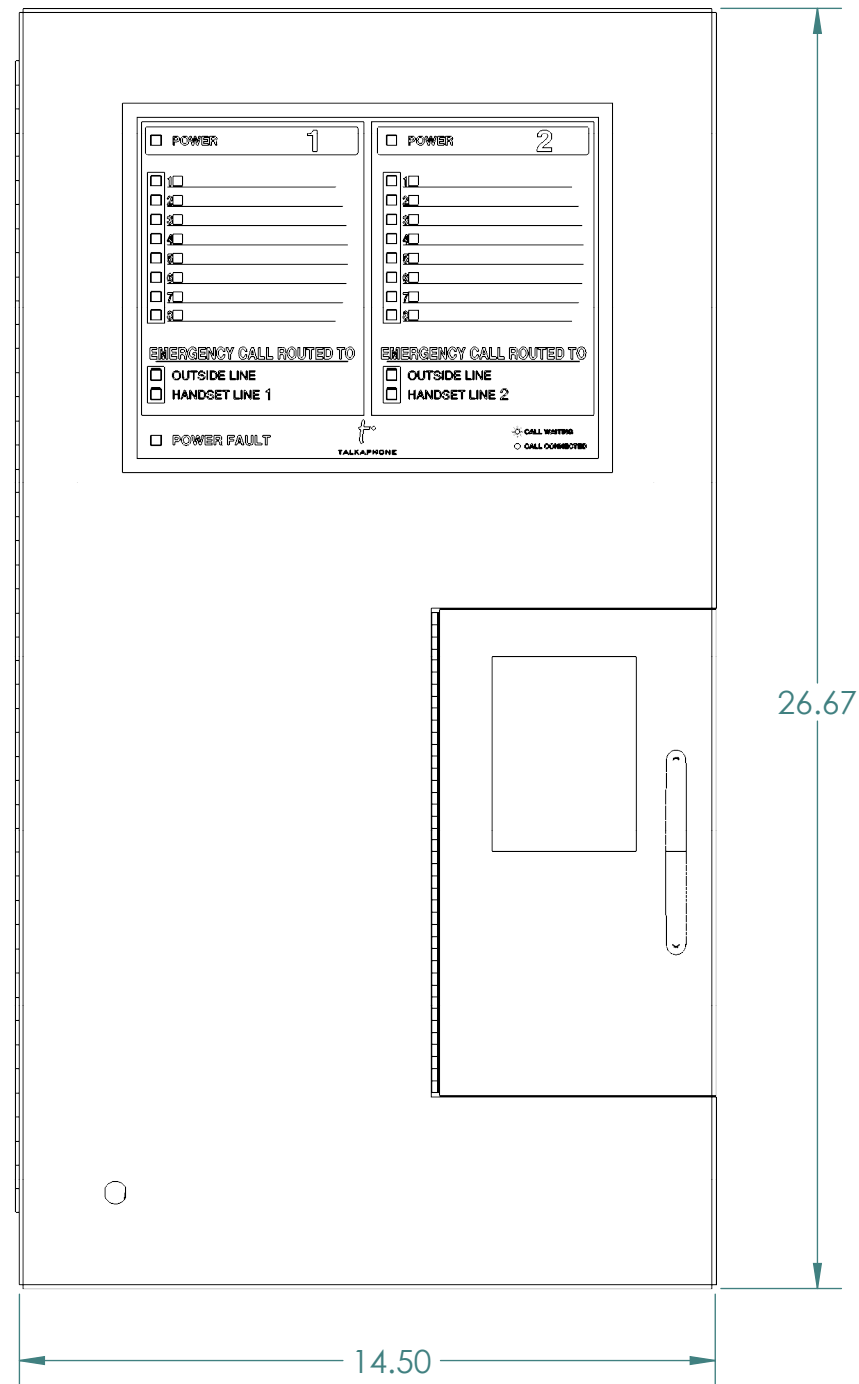


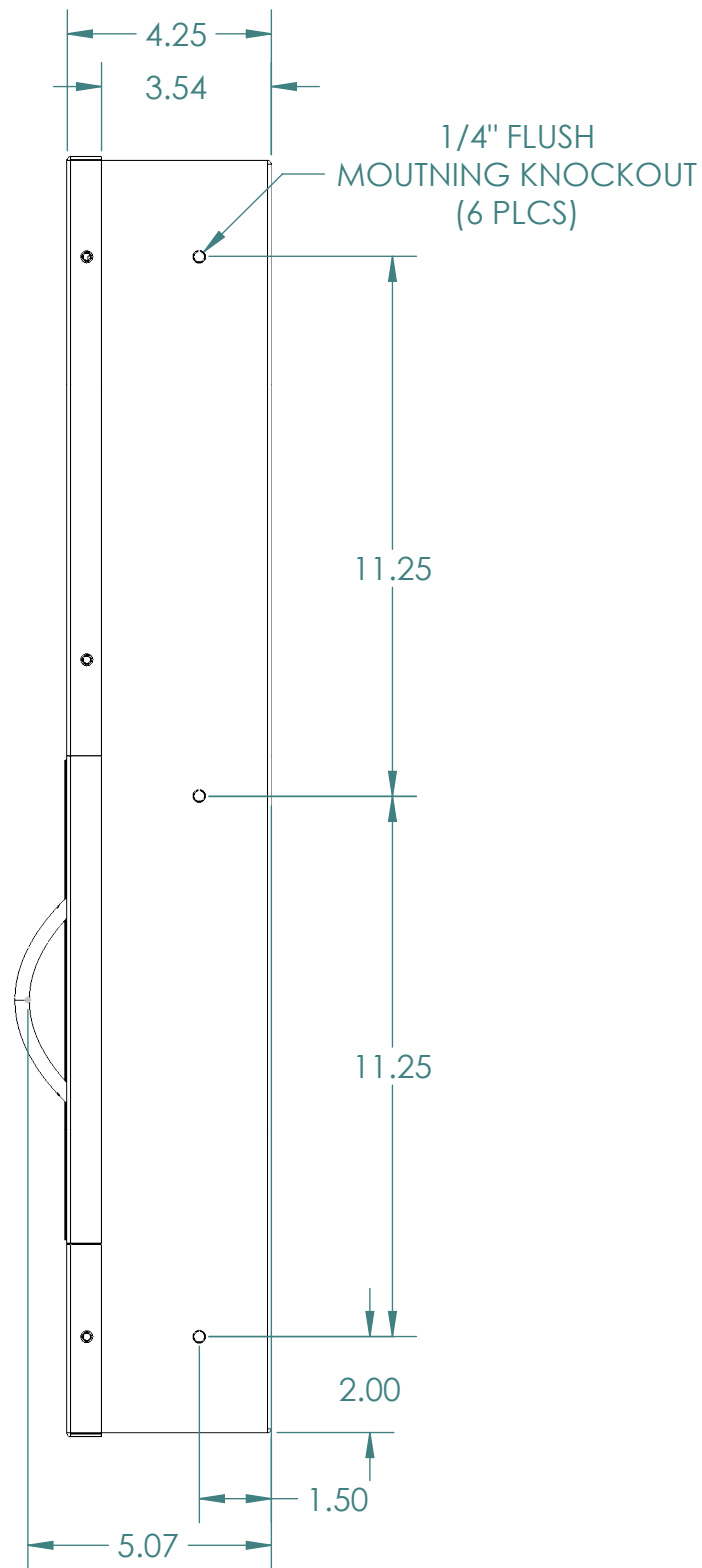
TOP VIEW



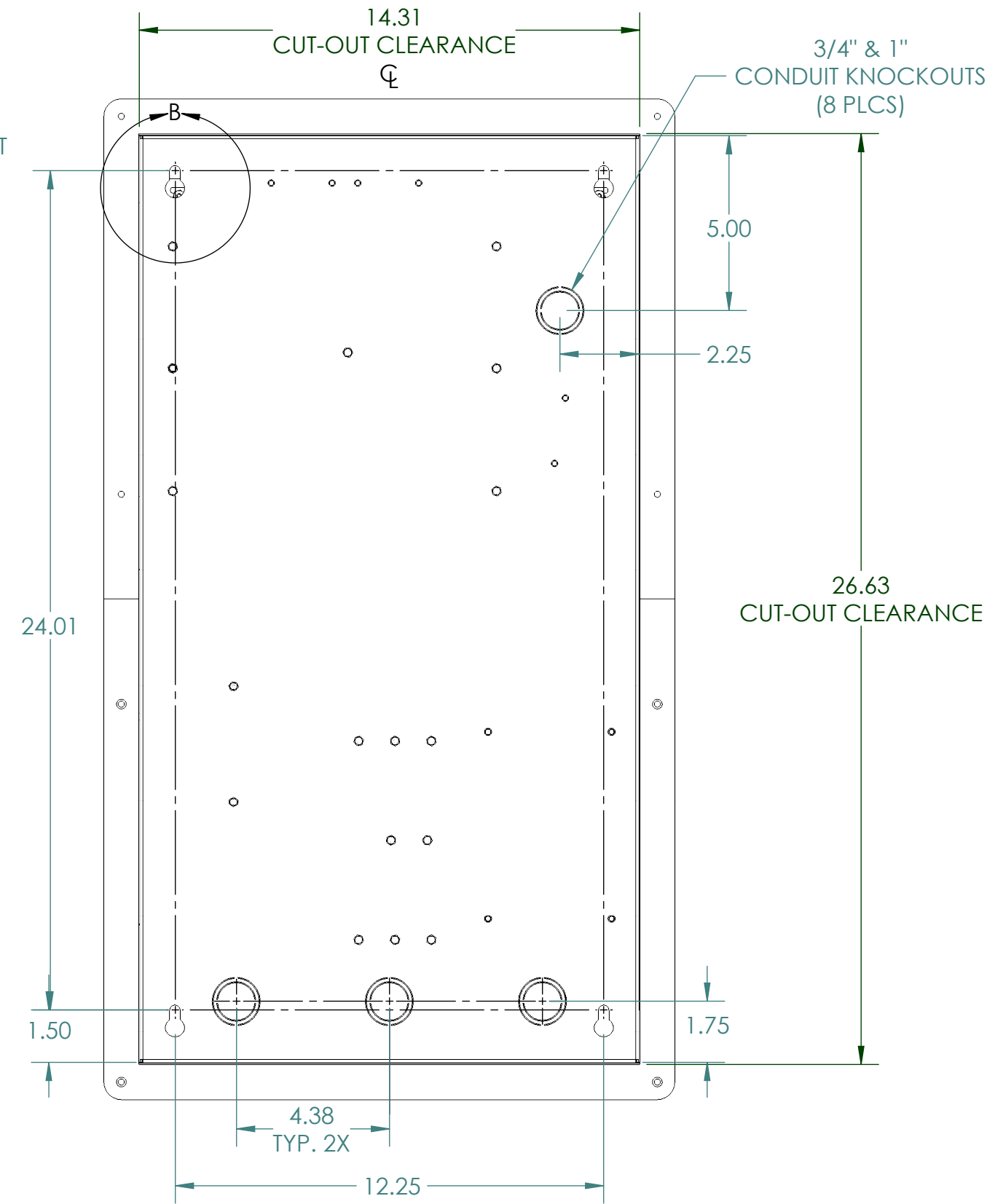
DETAIL B
SCALE 1 : 2



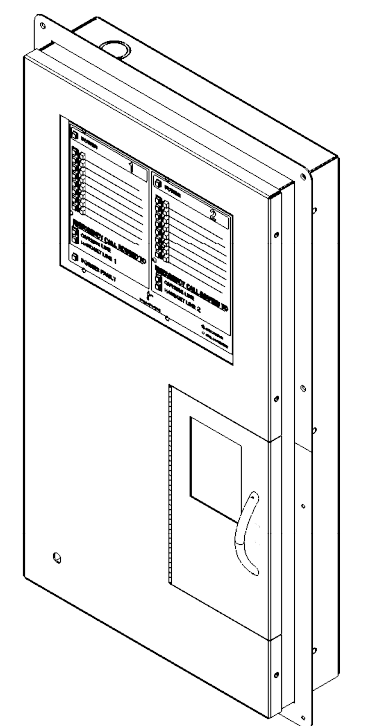
FRONT VIEW



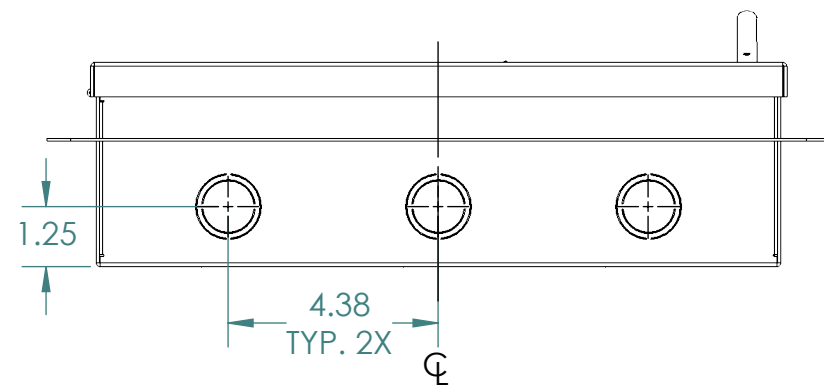
SIDE VIEW



REAR VIEW
NOTE: AOR-8/AOR-16
SHOWN WITH TRIM RING "AOR-8/16 TRIM RING"
FOR FLUSH MOUNTING OPTION



ISOMETRIC VIEW



BOTTOM VIEW

PART NO: AOR-8 | AOR-16
TITLE: AREA OF RESCUE SERIES

1.0	MARKETING RELEASE	6/22/2016	M OBAL
REV.	DESCRIPTION	DATE	APPROVED
REVISIONS			
	NAME	DATE	
DRAWN	M OBAL	6/22/2016	
CHECKED			
ENG APPR.			
MFG APPR.			
Q.A.			
COMMENTS:			
 TALKAPHONE TALK-A-PHONE CO. 7530 N. NATCHEZ AVE. NILES, IL 60714 WWW.TALKAPHONE.COM		DWG. NO. SIZE PART NO. AOR-8/ AOR 16 DWG. TITLE: AREA OF RESCUE SERIES SCALE: 1:8 WEIGHT: SHEET 1 OF 1	
PROPRIETARY AND CONFIDENTIAL THE INFORMATION CONTAINED IN THIS DRAWING IS THE SOLE PROPERTY OF TALK-A-PHONE COMPANY. ANY REPRODUCTION IN PART OR AS A WHOLE WITHOUT THE WRITTEN PERMISSION OF TALK-A-PHONE COMPANY IS PROHIBITED.		REV 1.0	