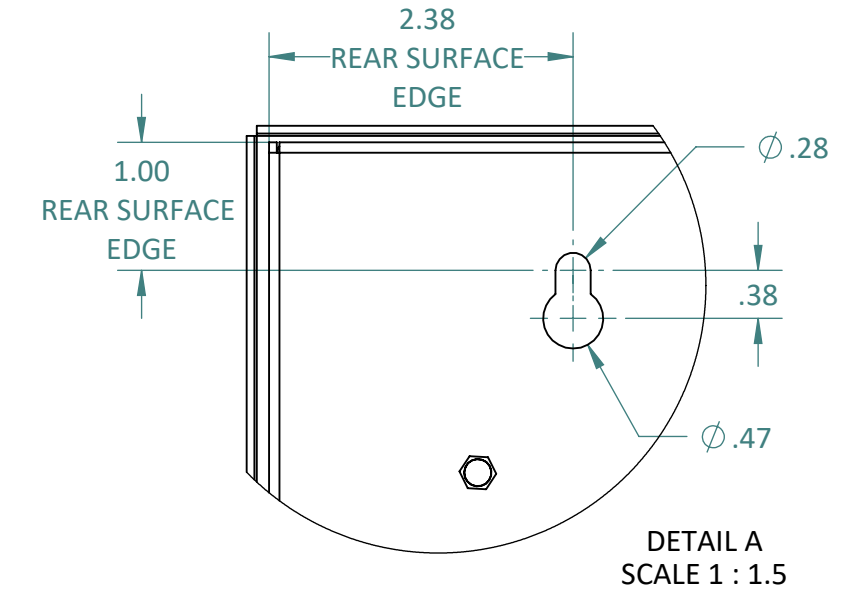
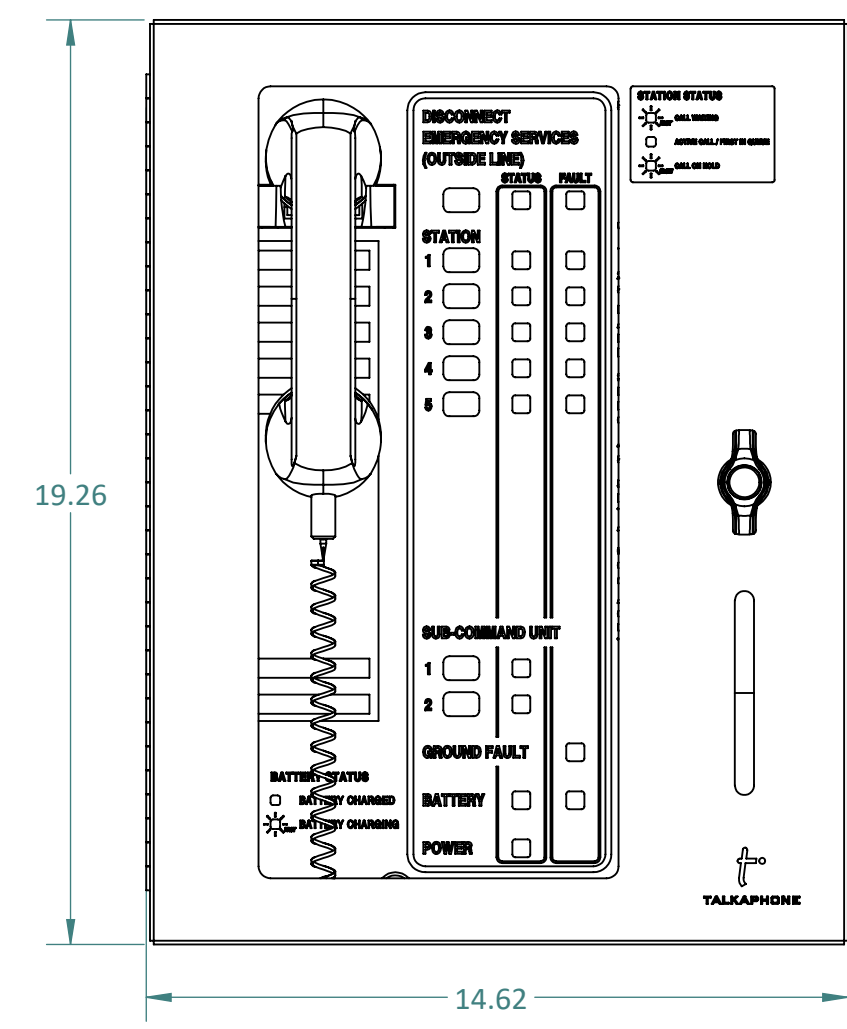


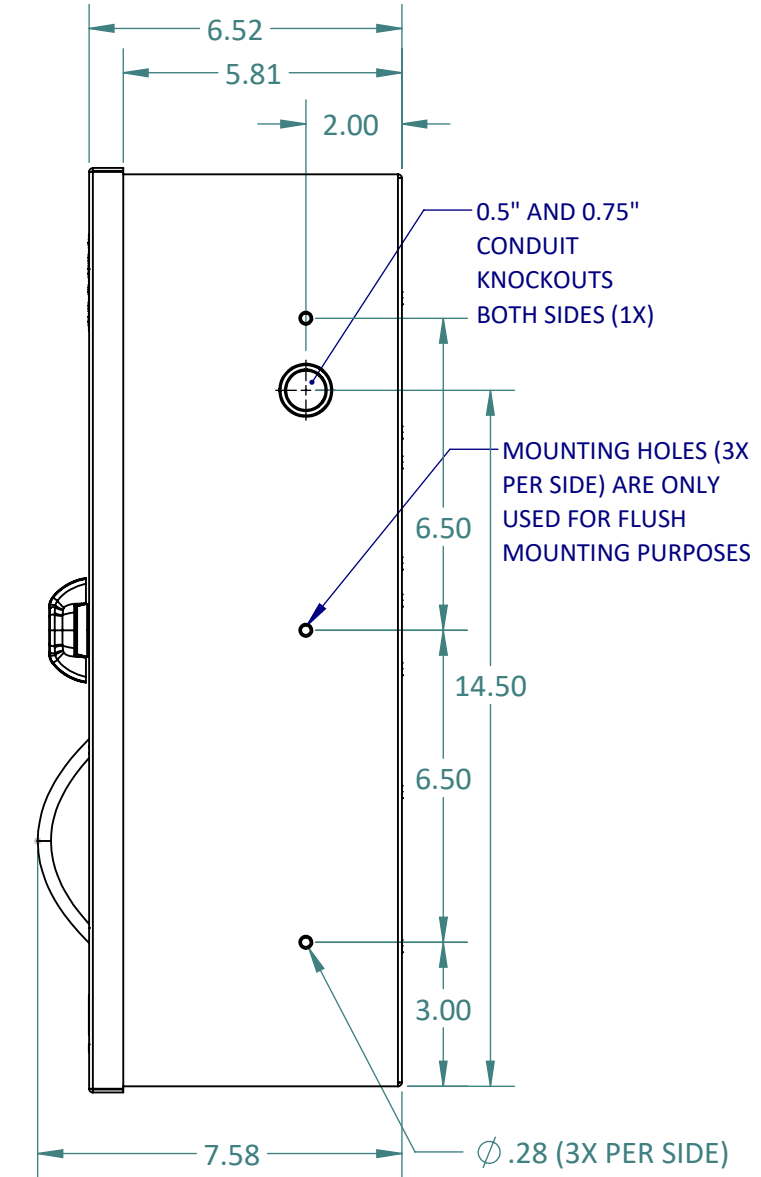
TOP VIEW



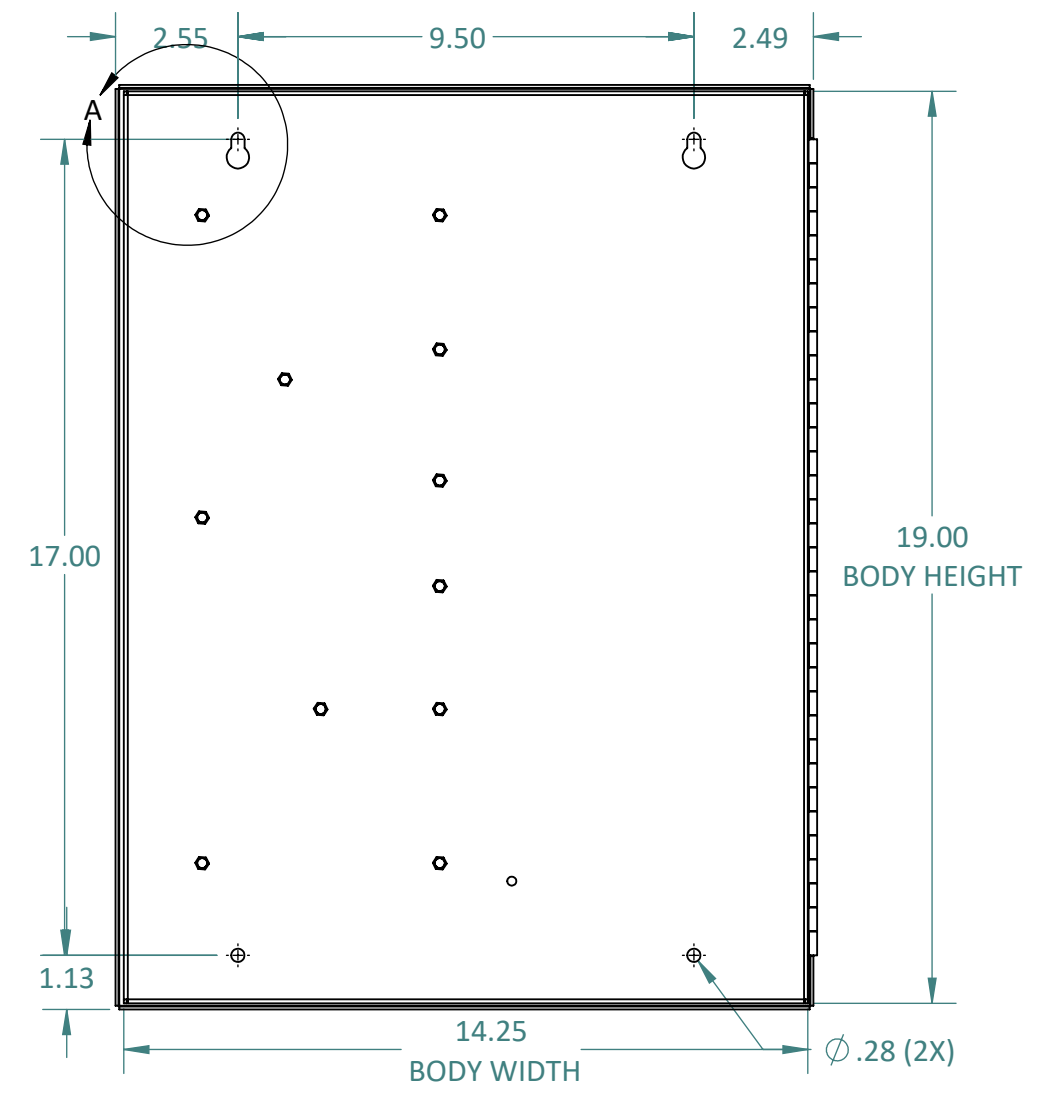
DETAIL A  
SCALE 1 : 1.5



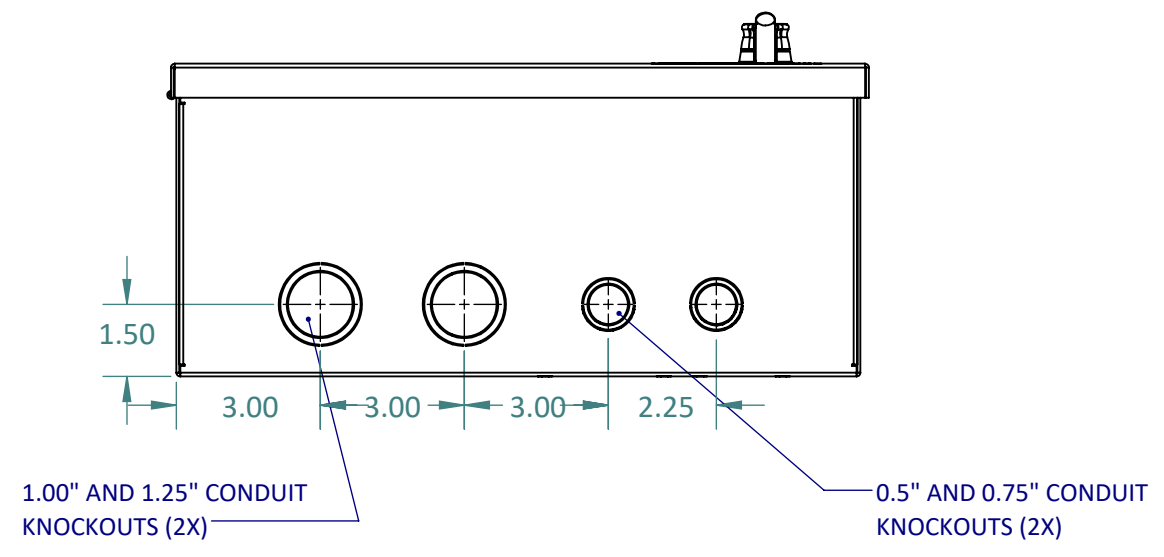
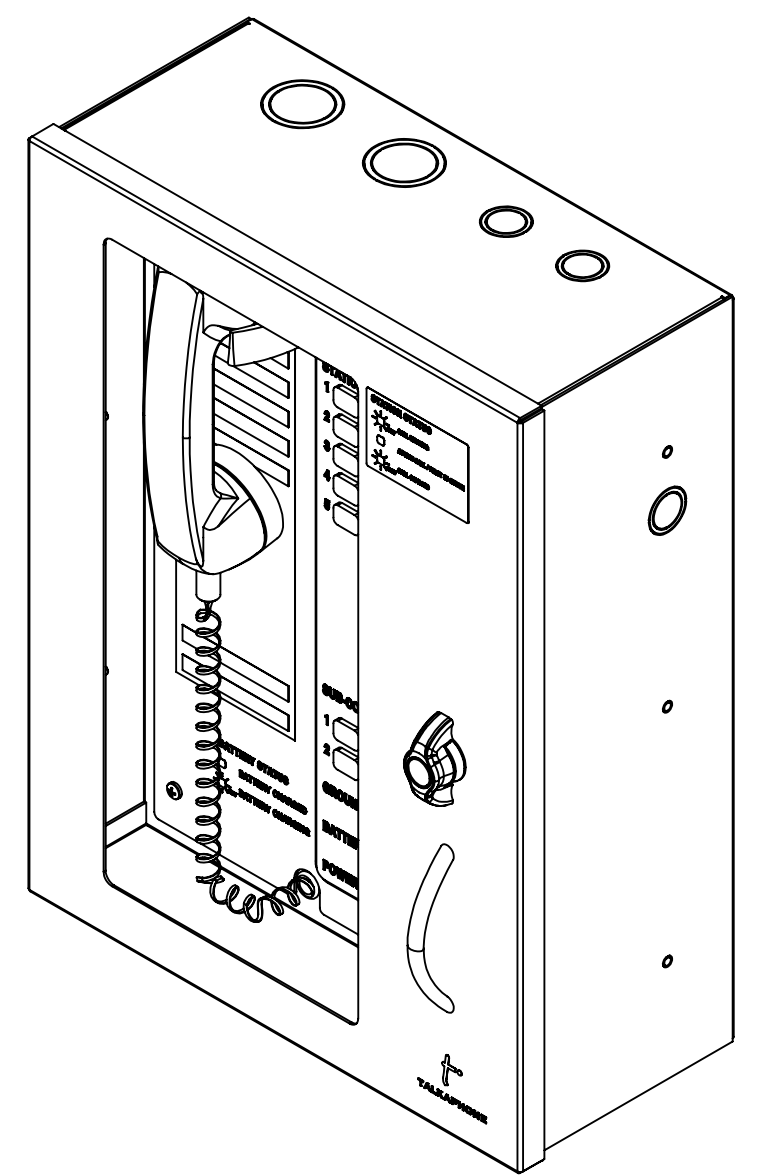
FRONT VIEW



SIDE VIEW



REAR VIEW



BOTTOM VIEW

1.0	MARKETING RELEASE	04/20/2022	N TERECH
REV.	DESCRIPTION	DATE	APPROVED
REVISIONS			
	NAME	DATE	
DRAWN	N TERECH	04/20/2022	
CHECKED	K PATEL	04/20/2022	
ENG APPR.			
MFG APPR.			
Q.A.			
COMMENTS:			
DWG. NO.		REV	
SIZE		PART NO. <b>AOR-5-DSL</b>	<b>1.0</b>
DWG. TITLE: <b>AOR-5 ENCLOSURE WITH DOOR [TWIST LATCH]</b>			
SCALE: 1:4		WEIGHT:	SHEET 1 OF 1

FINISH

PROPRIETARY AND CONFIDENTIAL  
THE INFORMATION CONTAINED IN THIS DRAWING IS THE SOLE PROPERTY OF TALK-A-PHONE, LLC. ANY REPRODUCTION IN PART OR AS A WHOLE WITHOUT THE WRITTEN PERMISSION OF TALK-A-PHONE, LLC IS PROHIBITED.

