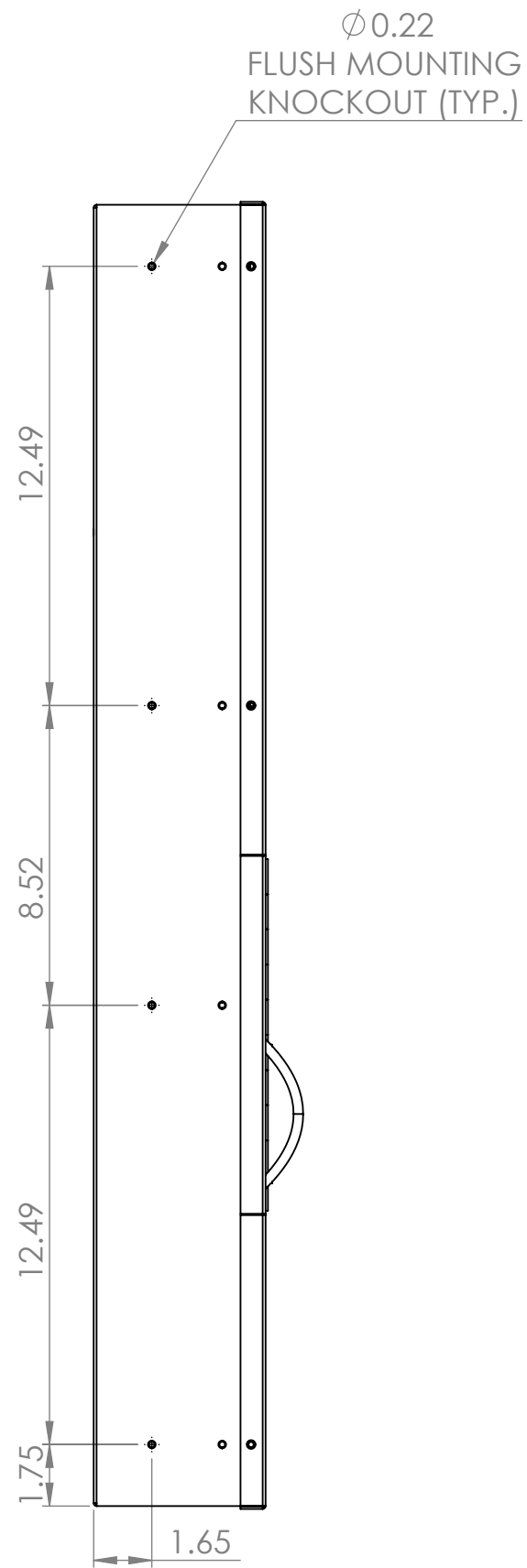
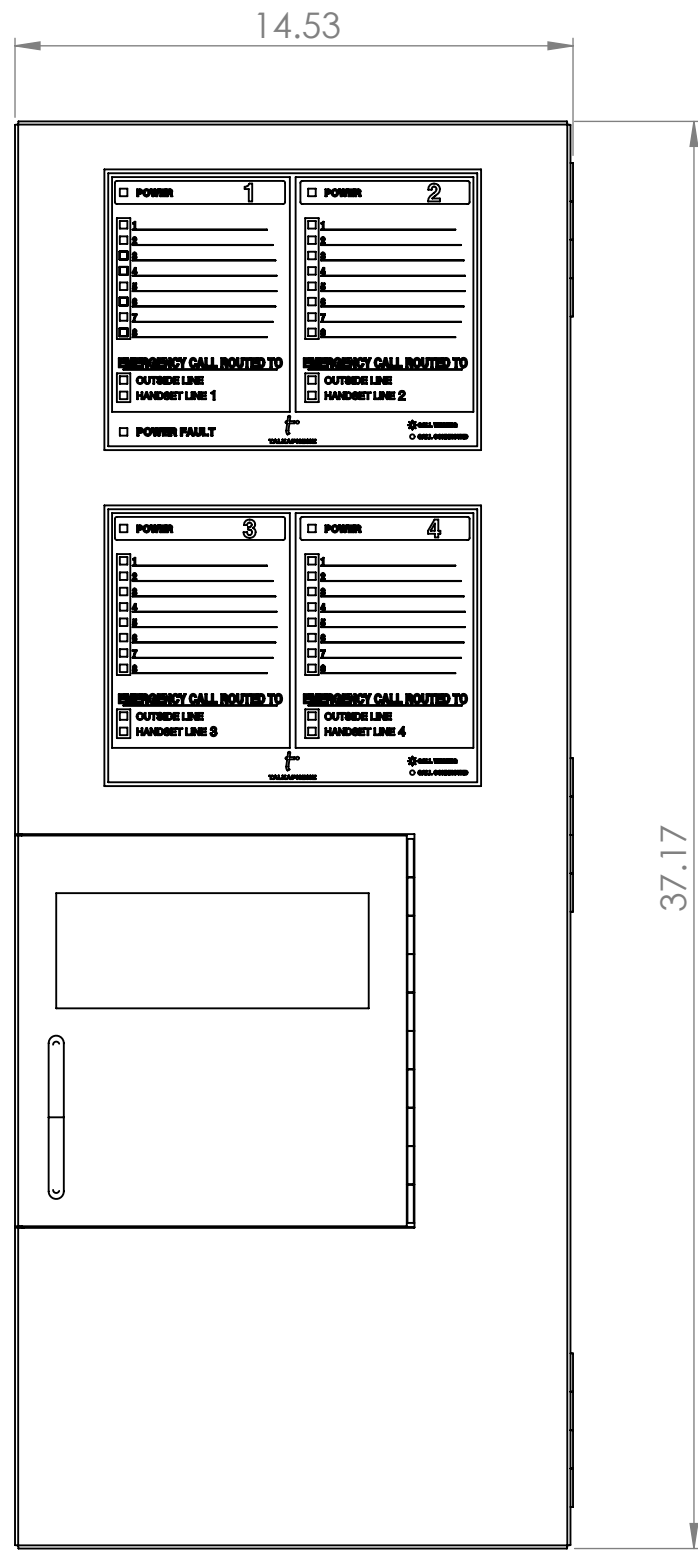


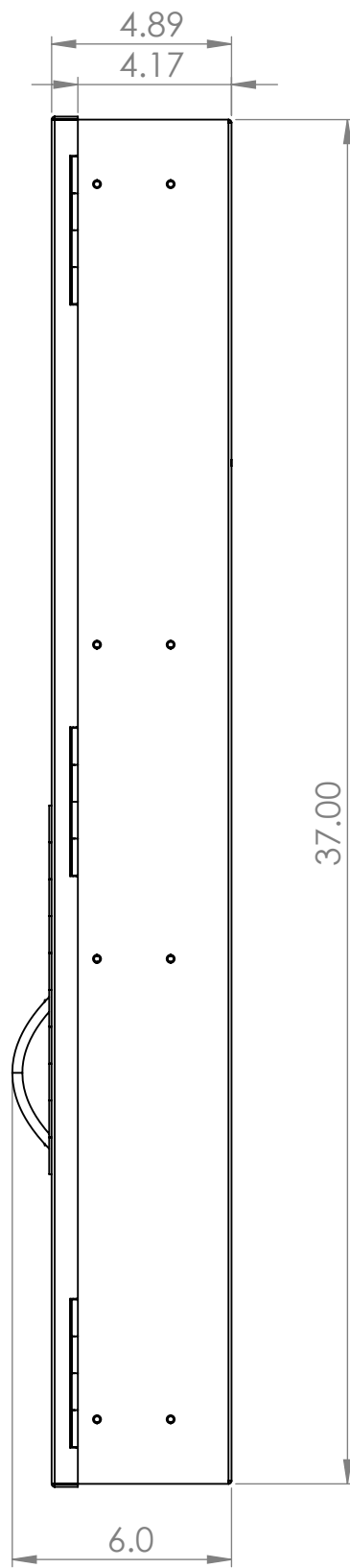
TOP VIEW



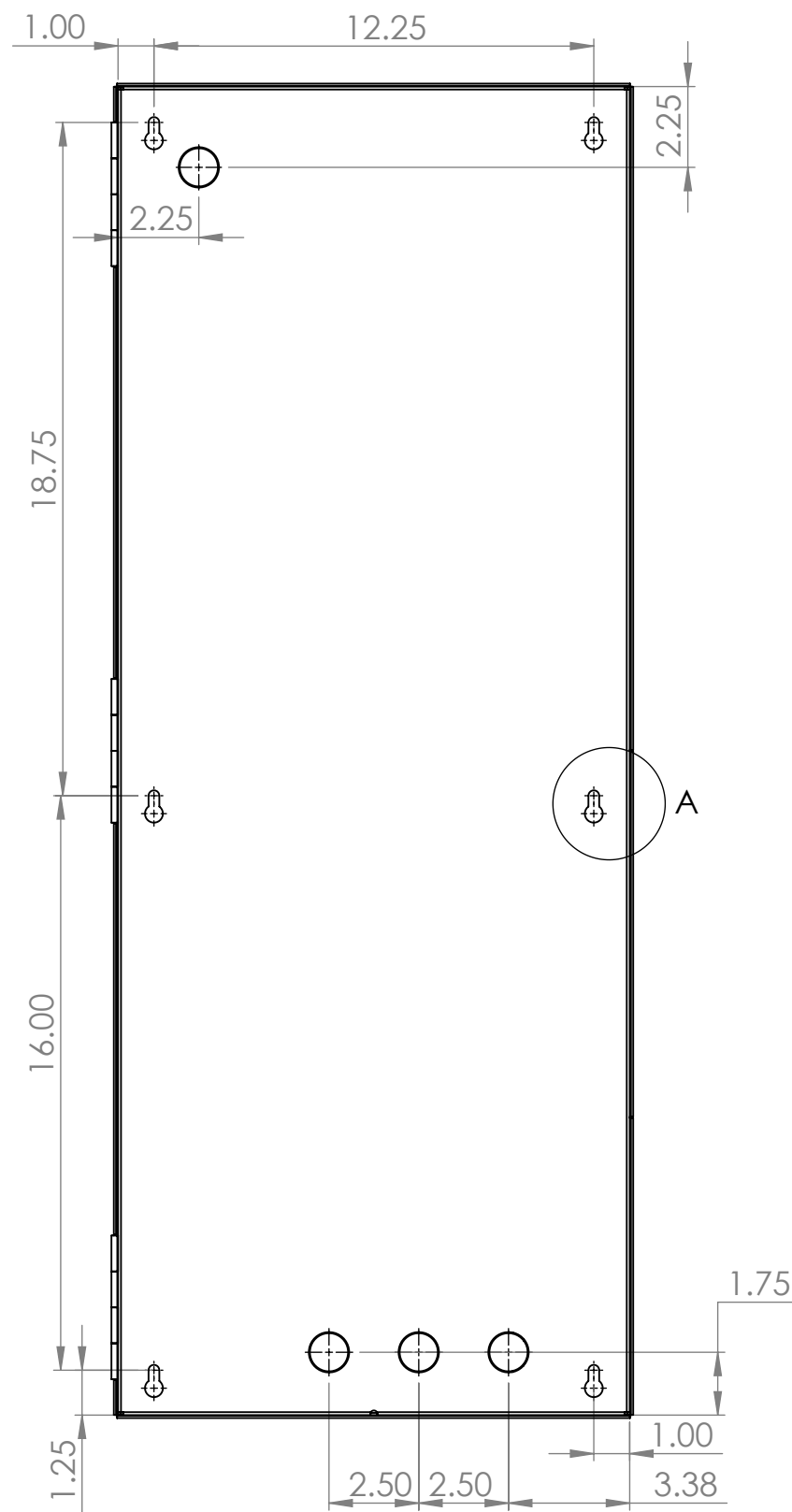
LEFT SIDE VIEW



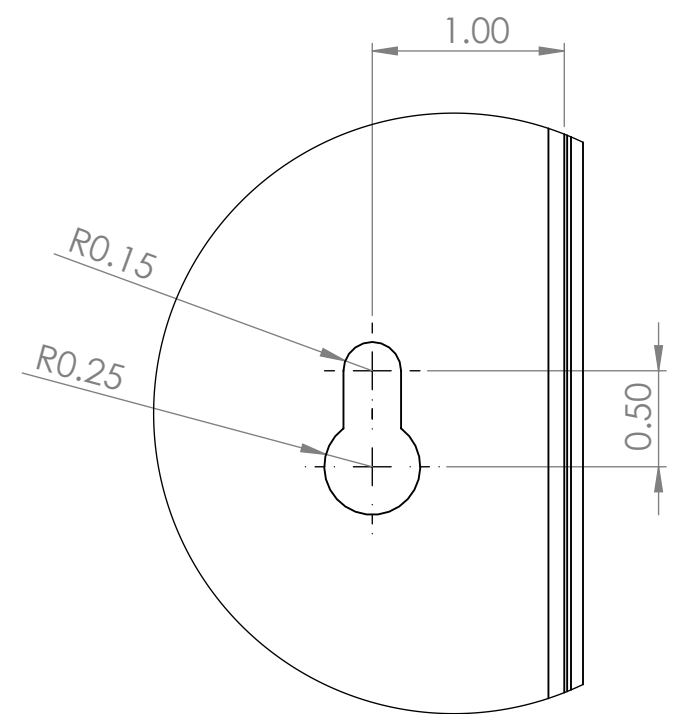
FRONT VIEW



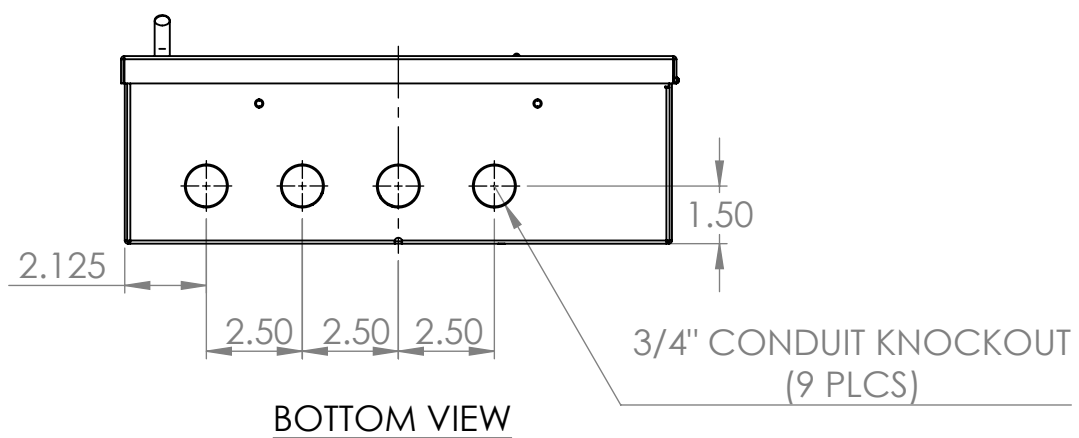
RIGHT SIDE VIEW



REAR VIEW
(MOUNTING DIMENSIONS
RELATIVE TO REAR FACE)



DETAIL A
SCALE 1 : 1



BOTTOM VIEW

3/4" CONDUIT KNOCKOUT
(9 PLCS)

GENERAL NOTES:

PROPRIETARY AND CONFIDENTIAL
THE INFORMATION CONTAINED IN THIS DRAWING IS THE SOLE PROPERTY OF TALK-A-PHONE COMPANY. ANY REPRODUCTION IN PART OR AS A WHOLE WITHOUT THE WRITTEN PERMISSION OF TALK-A-PHONE COMPANY IS PROHIBITED.

UNLESS OTHERWISE SPECIFIED:	NAME	DATE
DIMENSIONS ARE IN INCHES	DRAWN	J.HNILO 9/18/14
TOLERANCES:	CHECKED	
DRILL HOLE: -0.00 / +0.003	ENG APPR.	
ANGULAR: MACH ± BEND ±2°	MFG APPR.	
TWO PLACE DECIMAL ±0.02	Q.A.	
THREE PLACE DECIMAL ±0.005	COMMENTS:	
INTERPRET GEOMETRIC TOLERANCING PER: ASME Y14.5		
MATERIAL 14 Ga (0.06") 304 Stainless Steel		
FINISH		
DO NOT SCALE DRAWING		

TALKAPHONE
7530 N. NATCHEZ AVE.
NILES, IL 60714
WWW.TALKAPHONE.COM

SIZE	P/N:	REV.
C	DWG. NO:	1.0
	DWG. TITLE:	AOR-32
SCALE: 1:5	WEIGHT:	SHEET 1 OF 1