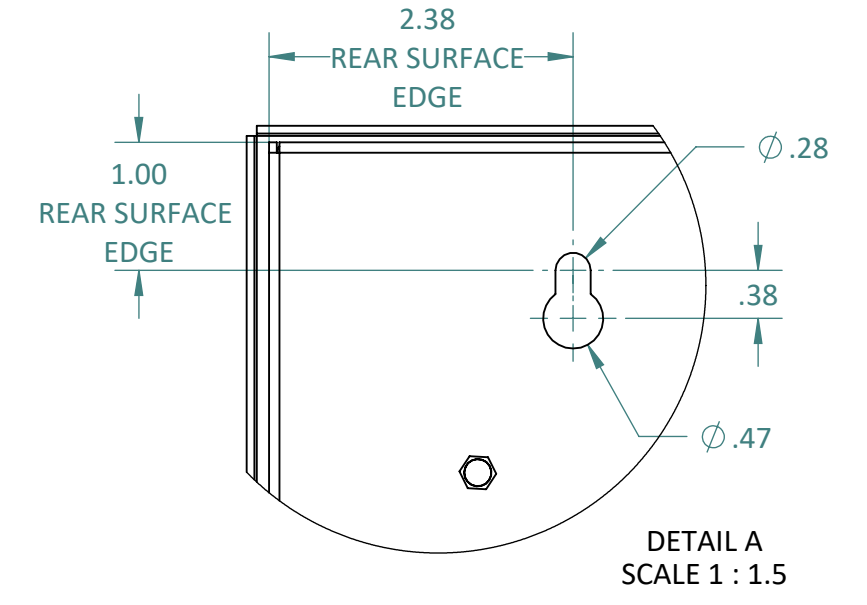
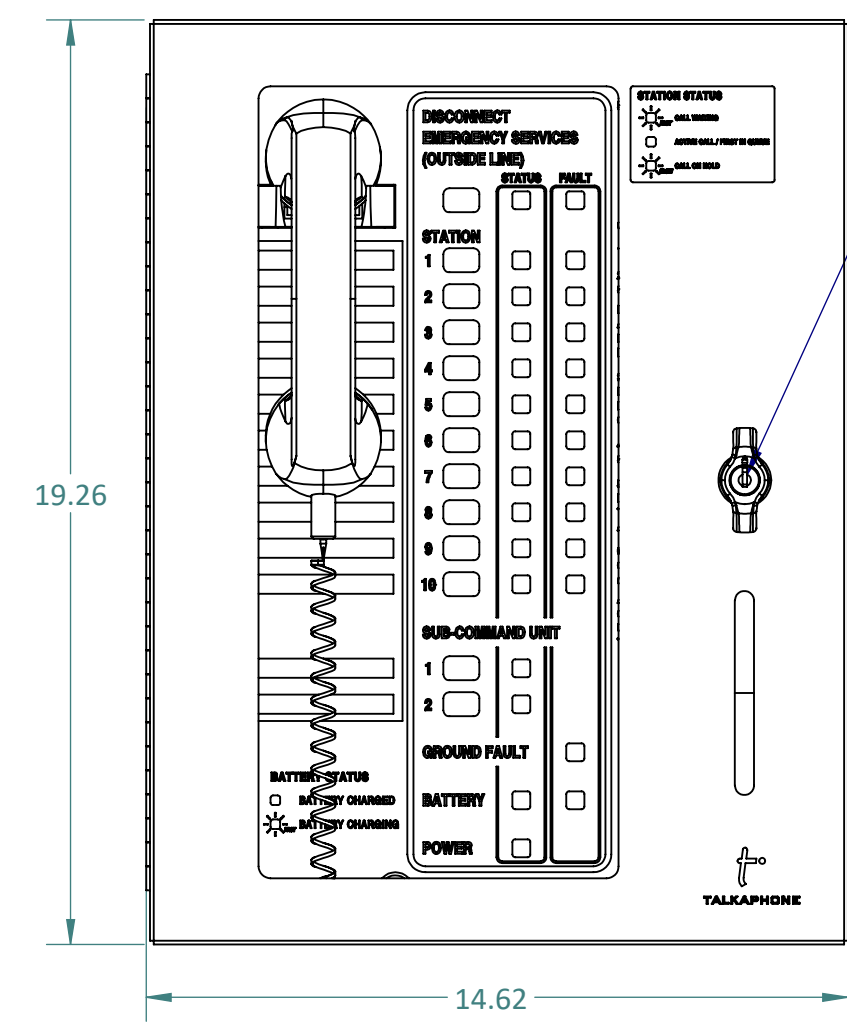


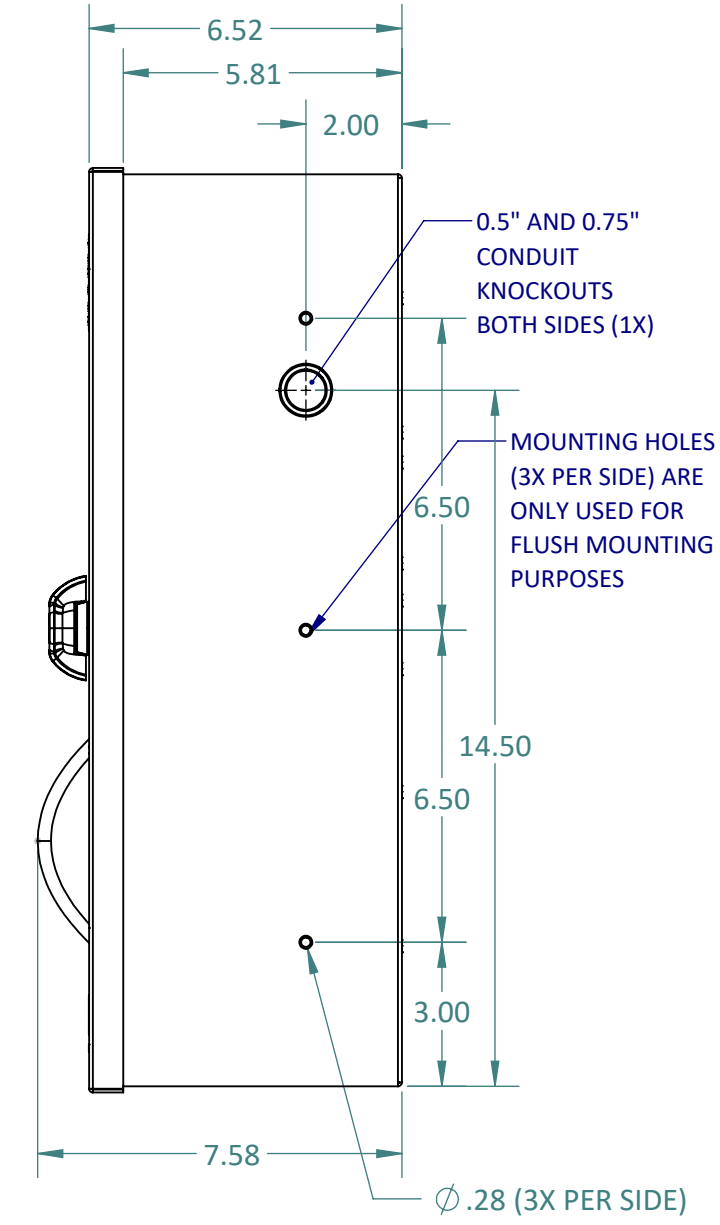
TOP VIEW



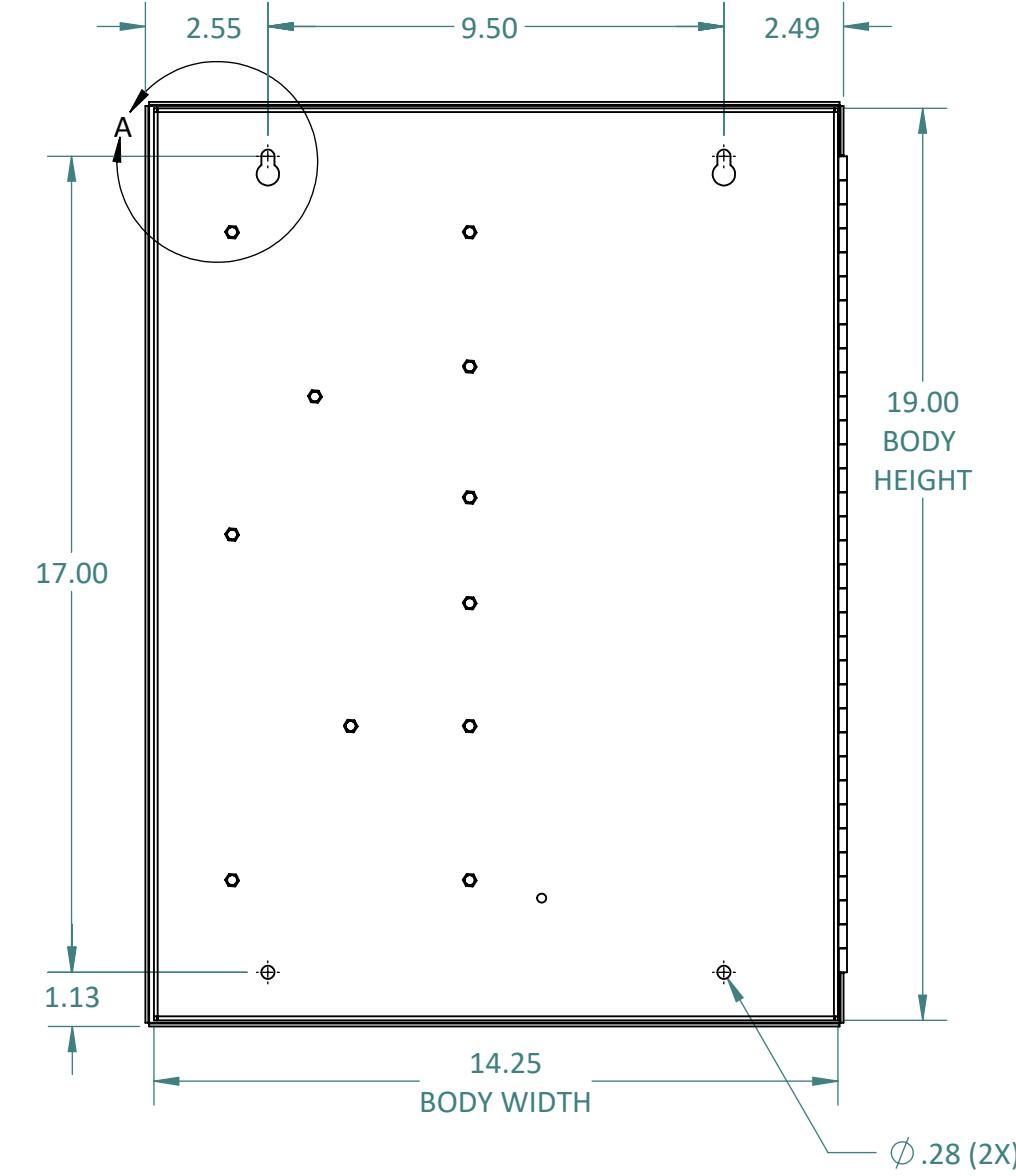
DETAIL A  
SCALE 1 : 1.5



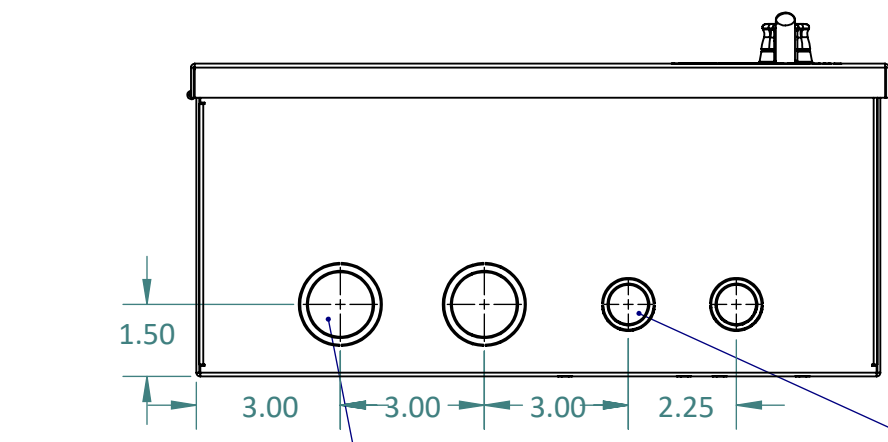
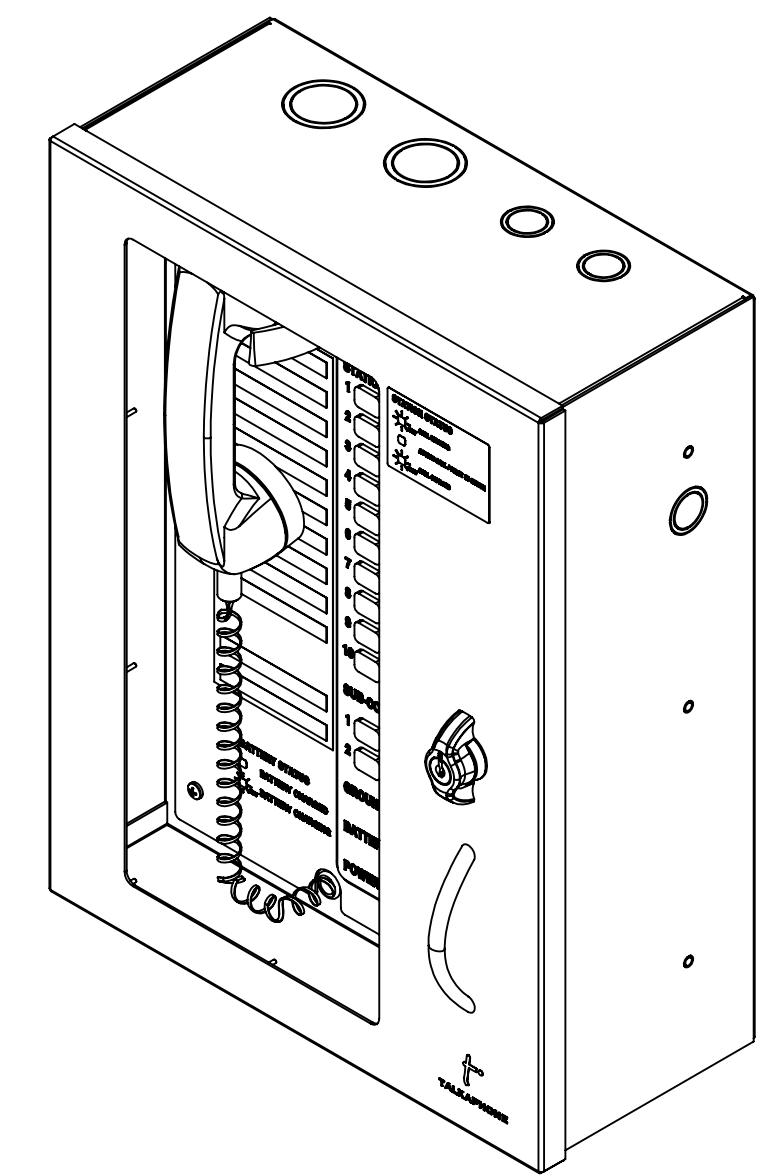
FRONT VIEW



SIDE VIEW



REAR VIEW



BOTTOM VIEW

1.0	MARKETING RELEASE	05/11/2022	N TERECH
REV.	DESCRIPTION	DATE	APPROVED
REVISIONS			
	NAME	DATE	
DRAWN	N TERECH	05/11/2022	
CHECKED	K PATEL	05/11/2022	
ENG APPR.			
MFG APPR.			
Q.A.			
COMMENTS:			
 <b>TALKAPHONE</b> TALK-A-PHONE, LLC 7530 N. NATCHEZ AVE. NILES, IL 60714 WWW.TALKAPHONE.COM			
DWG. NO.		SIZE	REV
		C	1.0
		DWG. TITLE:	AOR-10 ENCLASURE WITH DOOR [KEYED LATCH]
		SCALE: 1:4	WEIGHT:
			SHEET 1 OF 1

FINISH  
 PROPRIETARY AND CONFIDENTIAL  
 THE INFORMATION CONTAINED IN THIS DRAWING IS THE SOLE PROPERTY OF TALK-A-PHONE, LLC. ANY REPRODUCTION IN PART OR AS A WHOLE WITHOUT THE WRITTEN PERMISSION OF TALK-A-PHONE, LLC IS PROHIBITED.